



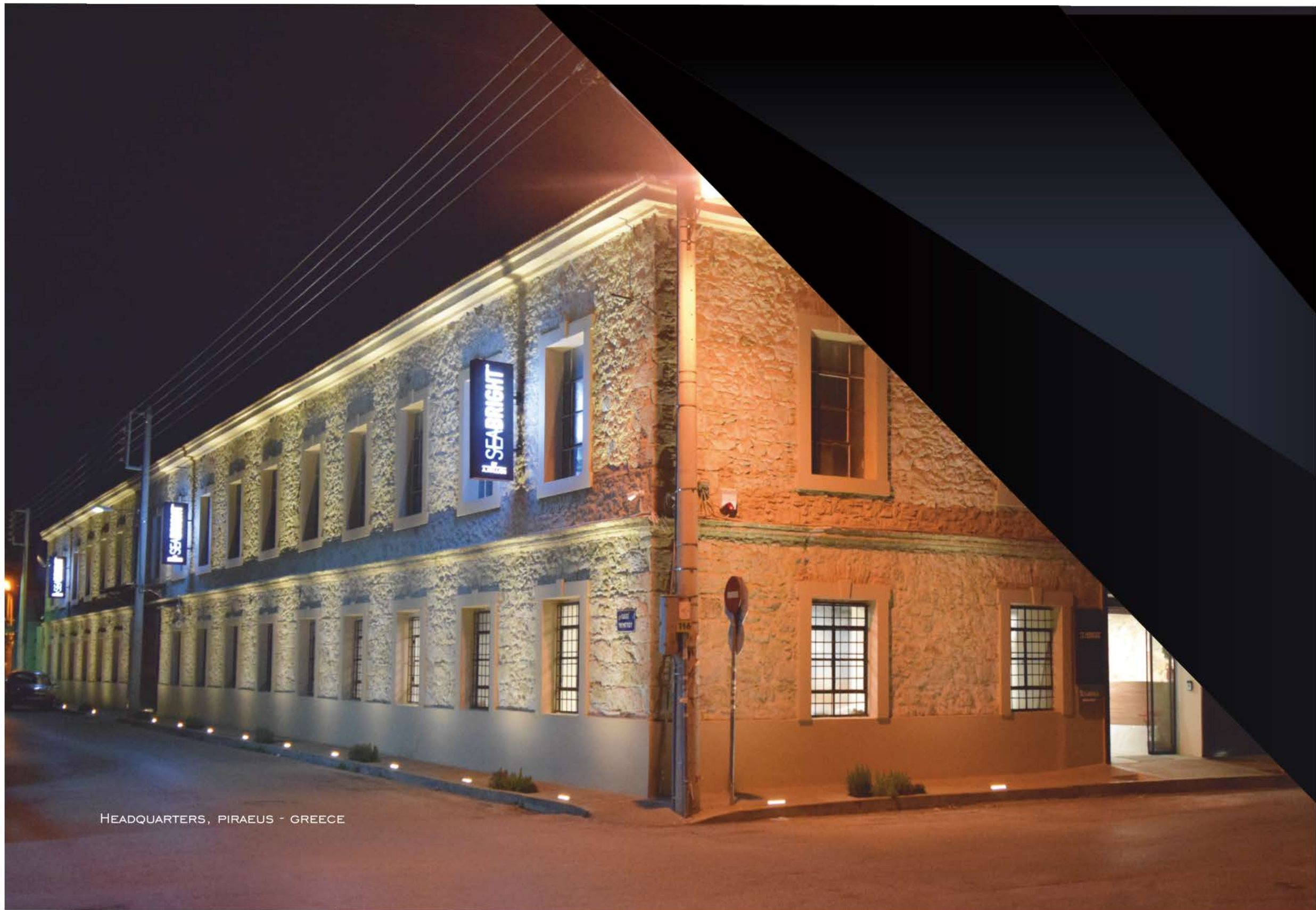


## CONTENTS

	FLOODLIGHTS	04 - 15
	OUTDOOR LIGHTS	16 - 27
	INDOOR LIGHTS	28 - 53
	EMERGENCY LIGHTS	54 - 59
	NAVIGATION LIGHTS	60 - 64
	BRASS LIGHTS	66 - 71



HEADQUARTERS, PIRAEUS - GREECE

# SEABRIGHT®

BY A. MALLIOS



MADE IN GREECE



Founded in 1983 by Mr. Anastasios Mallios, who identified the market need for and branded and high-quality product in the field of maritime lighting in Greece.

The original goal of the company was about the designing, manufacturing and trading of lighting and general electrical equipment for use on board, maintaining the highest possible standards on every level.

The goals that followed were aimed towards developing the most complete retail wholesale company in Greece. This being the case, apart from exclusive representing the most prestigious electrical equipment brands in the Greek market, the decision was to develop a world where Sea Bright would monopolize the interest of all clients.

Today, SeaBright is a leader in the Greek and European market, with 35 years of experience in lighting and electrical equipment.

All of our products are designed and produced to meet all the maritime requirements and are certified by global leaders classification societies.

Our headquarters, in Greece, are developing and producing products **under the highest technology machines within a space of 3.500 sqm.**, thus we are saying **100% MADE IN GREECE.**

Continuing the developing and our customers needs for better and 24/7 assistance our company is operating 2 new sales offices in **Miami, Sea Bright USA** and **Gdansk, SeaBright POLAND.**

“REACHING THE LIGHT THROUGH DARKNESS”

*Anastasios Mallios*

FOUNDER OF SEA BRIGHT



SEABRIGHT®  
BY A. MALLIOS



FLOODLIGHTS

MARINE BRIGHT  
SOLUTIONS



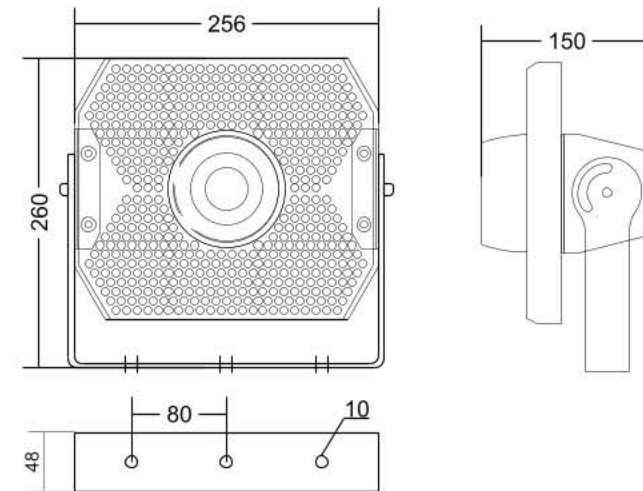
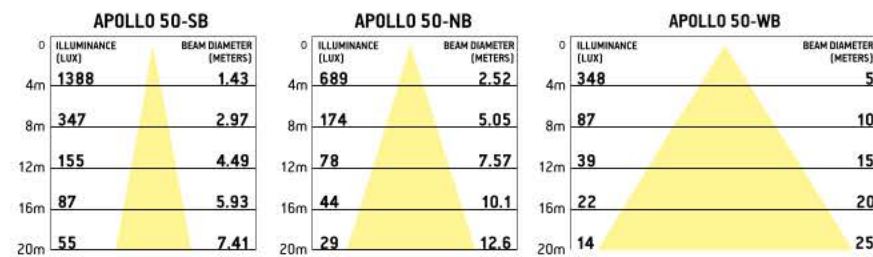
# ALUMINUM LED FLOODLIGHT

APOLLO 50



MARINE BRIGHT SOLUTIONS

## DIMENSIONS



Code	Wattage	Voltage	Frequency	Beam
APOLLO 50-SB	55W	90-305V	50-60 Hz	21
APOLLO 50-NB	55W	90-305V	50-60 Hz	35
APOLLO 50-WB	55W	90-305V	50-60 Hz	64

## TECHNICAL DATA

### Application Area

- Multipurpose LED floodlights for engine rooms, weather-exposed areas, cargo holds, deck, stores, workshops, industrial areas

### Design

- According to the rules of international classification societies, VDE and IEC

### Housing

- Marine grade aluminum
- Diffuser made of safety glass

### Lamps

- LED Module 7.250 lm

### Mounting

- Stainless steel bracket

### Electric

- 90-305 VAC 50-60 Hz

# ALUMINUM LED FLOODLIGHT

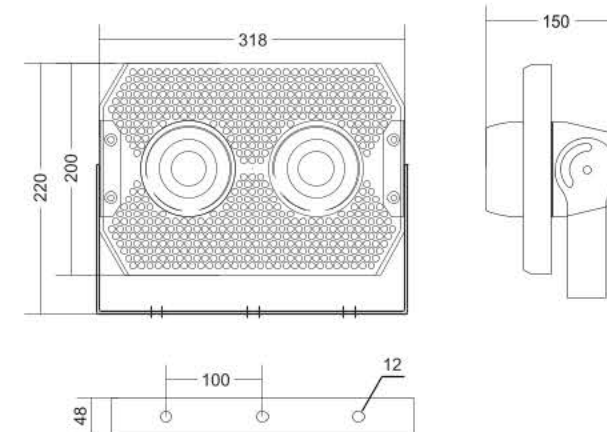
## APOLLO 100



APOLLO 100-SB		APOLLO 100-NB		APOLLO 100-WB	
ILLUMINANCE (LUX)	BEAM DIAMETER (METERS)	ILLUMINANCE (LUX)	BEAM DIAMETER (METERS)	ILLUMINANCE (LUX)	BEAM DIAMETER (METERS)
0		0		0	
4m	1.43	4m	2.52	4m	5
8m	2.97	8m	5.05	8m	10
12m	4.49	12m	7.57	12m	15
16m	5.93	16m	10.1	16m	20
20m	7.41	20m	12.6	20m	25

### DIMENSIONS

Code	Wattage	Voltage	Frequency	Beam
APOLLO 100-SB	110W	90-305V	50-60 Hz	21°
APOLLO 100-NB	110W	90-305V	50-60 Hz	35°
APOLLO 100-WB	110W	90-305V	50-60 Hz	64°



### TECHNICAL DATA

#### Application Area

- Multipurpose LED floodlights for engine rooms, weather-exposed areas, cargo holds, deck, stores, workshops, industrial areas

#### Design

- According to the rules of international classification societies, VDE and IEC

#### Lamps

- LED Module 14.500 lm

#### Housing

- Marine grade aluminum
- Diffuser made of safety glass

#### Electric

- 90-305 VAC 50-60 Hz

#### Mounting

- Stainless steel bracket

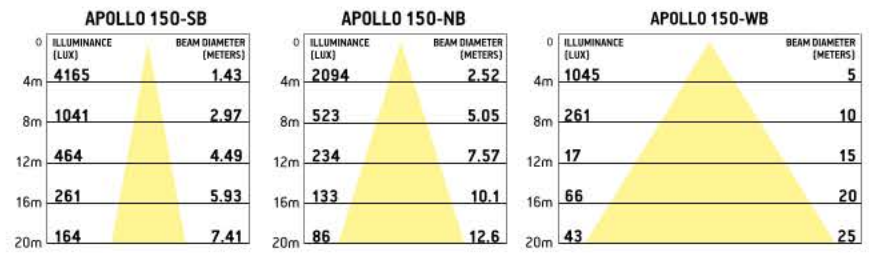


# ALUMINUM LED FLOODLIGHT

## APOLLO 150

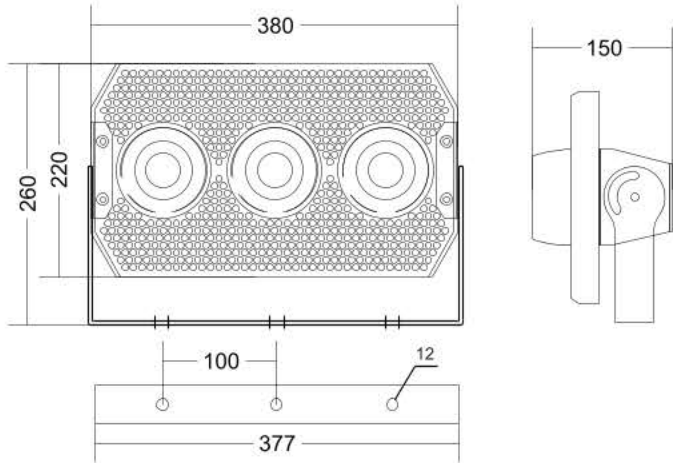


### MARINE BRIGHT SOLUTIONS



### DIMENSIONS

Code	Wattage	Voltage	Frequency	Beam
APOLLO 150-SB	160W	90-305V	50-60 Hz	21°
APOLLO 150-NB	160W	90-305V	50-60 Hz	35°
APOLLO 150-WB	160W	90-305V	50-60 Hz	64°



### TECHNICAL DATA

**Application Area**

- Multipurpose LED floodlights for engine rooms, weather-exposed areas, cargo holds, deck, stores, workshops, industrial areas

**Design**

- According to the rules of international classification societies, VDE and IEC

**Housing**

- Marine grade aluminum
- Diffuser made of safety glass

**Mounting**

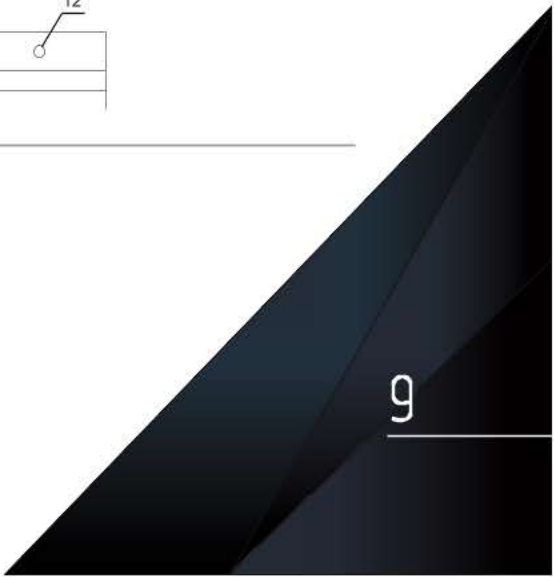
- Stainless steel bracket

**Lamps**

- LED Module 21.750 lm

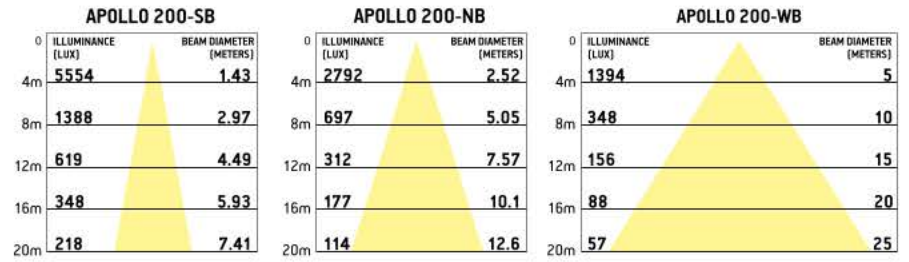
**Electric**

- 90-305 VAC 50-60 Hz



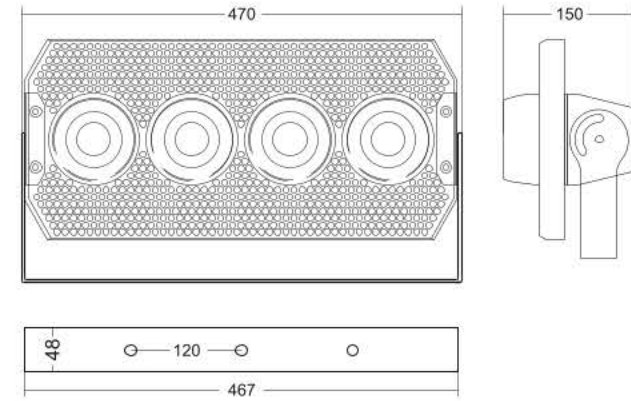
# ALUMINUM LED FLOODLIGHT

## APOLLO 200



### DIMENSIONS

Code	Wattage	Voltage	Frequency	Beam
APOLLO 200-SB	210W	90-305V	50-60 Hz	21°
APOLLO 200-NB	210W	90-305V	50-60 Hz	35°
APOLLO 200-WB	210W	90-305V	50-60 Hz	64°



### TECHNICAL DATA

#### Application Area

- Multipurpose LED floodlights for engine rooms, weather-exposed areas, cargo holds, deck, stores, workshops, industrial areas

#### Design

- According to the rules of international classification societies, VDE and IEC

#### Lamps

- LED Module 27.000 lm

#### Electric

- 90-305 VAC 50-60 Hz

#### Housing

- Marine grade aluminum
- Diffuser made of safety glass

#### Mounting

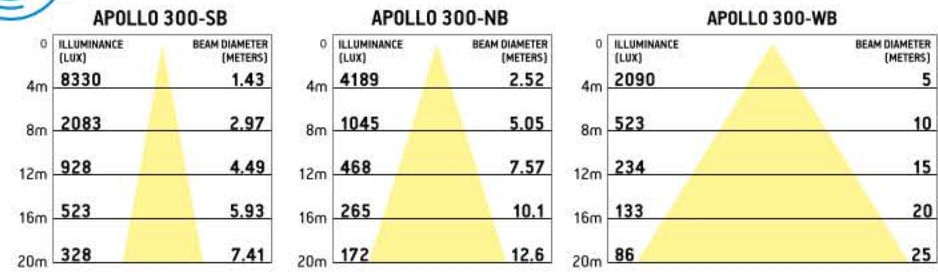
- Stainless steel bracket

# ALUMINUM LED FLOODLIGHT

## APOLLO 300

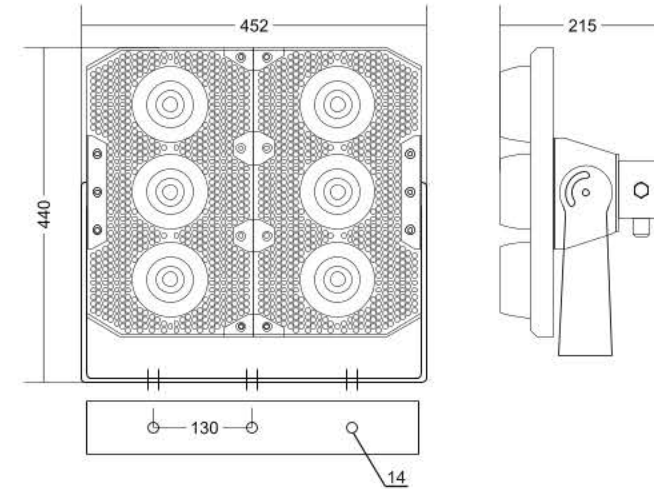


MARINE BRIGHT SOLUTIONS



### DIMENSIONS

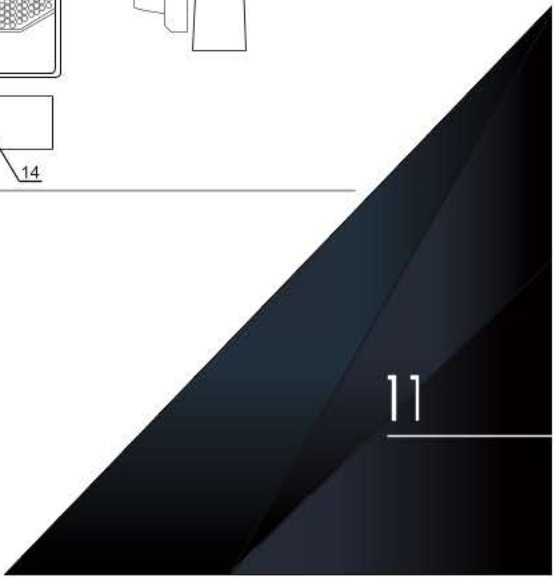
Code	Wattage	Voltage	Frequency	Beam
APOLLO 300-SB	325W	90-305V	50-60 Hz	21°
APOLLO 300-NB	325W	90-305V	50-60 Hz	35°
APOLLO 300-WB	325W	90-305V	50-60 Hz	64°



### TECHNICAL DATA

- Application Area**
  - Multipurpose LED floodlights for engine rooms, weather-exposed areas, cargo holds, deck, stores, workshops, industrial areas
- Design**
  - According to the rules of international classification societies, VDE and IEC
- Mounting**
  - Stainless steel bracket with three holes Ø10

- Housing**
  - Marine grade aluminum
  - Diffuser made of safety glass
- Lamps**
  - LED Module 40.500 lm
- Electric**
  - 90-305 VAC 50-60 Hz



# STAINLESS STEEL FLOODLIGHT

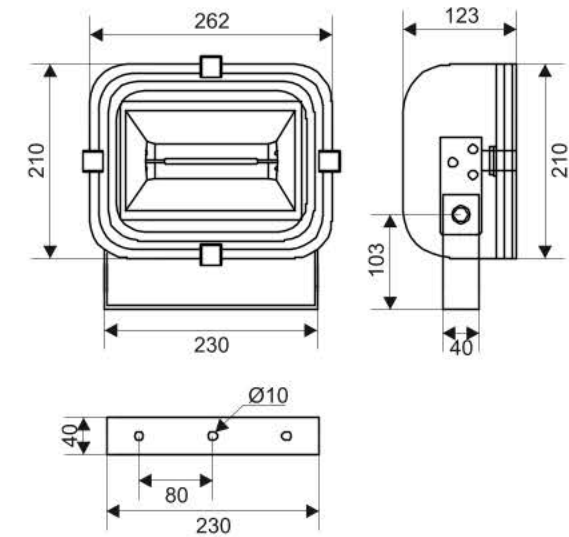
AEGEAN I



IP67

## DIMENSIONS

Code	Voltage	Frequency	Power	Lamp Lumen	Lamp
AEGEAN 1	110-240V	50-60Hz	200W	2850	R7s
			300W	4600	R7s
			500W	9000	R7s



## TECHNICAL DATA

### Application Area

Multipurpose floodlights for engine rooms, weather-exposed areas, cargo holds, deck, stores, workshops, industrial areas

### Design

- According to the rules of international classification societies, VDE and IEC

### Mounting

- Stainless steel bracket with three holes Ø10

### Electric

- 230 V 50 or 60 Hz, Flexible cable, heat resistant

### Housing

- Stainless steel, powder coated white RAL 9016
- Diffuser made of safety glass
- Reflector made of anodized aluminum, wide beam angle

### Lamps

- R7s max 500W

### Cable entry

- Brass cable gland M20

### Connection

- 3 pole terminal 6mm<sup>2</sup>
- Junction box(optional)

# STAINLESS STEEL FLOODLIGHT

AEGEAN 2 R7s

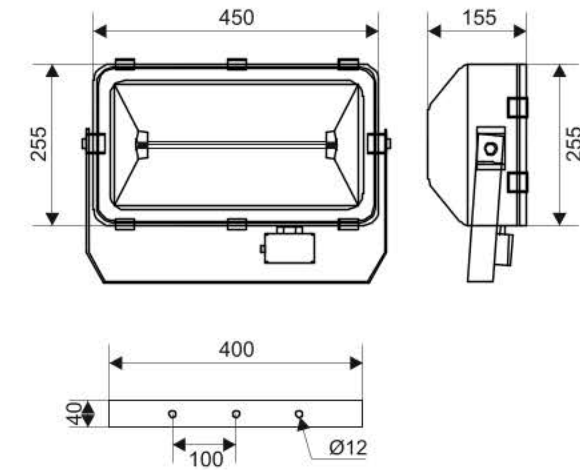


IP67

MARINE BRIGHT SOLUTIONS

## DIMENSIONS

Code	Voltage	Frequency	Power	Lamp Lumen	Lamp
AEGEAN 2-R7s	110-240V	50-60Hz	750W	15000	R7s
AEGEAN 2-R7s	110-240V	50-60Hz	1000W	21000	R7s



## TECHNICAL DATA

### Application Area

- Multipurpose floodlights for engine rooms, weather-exposed areas, cargo holds, deck, stores, workshops, industrial areas

### Design

- According to the rules of international classification societies, VDE and IEC

### Mounting

- Stainless steel bracket with three holes Ø12

### Lamps

- R7s max 1000W

### Cable entry

- Brass cable gland M20

### Housing

- Stainless steel, powder coated white RAL 9016
- Diffuser made of safety glass
- Reflector made of anodized aluminum, wide beam angle

### Electric

- 230 V 50 or 60 Hz, Flexible cable, heat resistant

### Connection

- 3 pole terminal 6mm<sup>2</sup>
- Junction box (optional)



# STAINLESS STEEL FLOODLIGHT

**AEGEAN 2 E40**

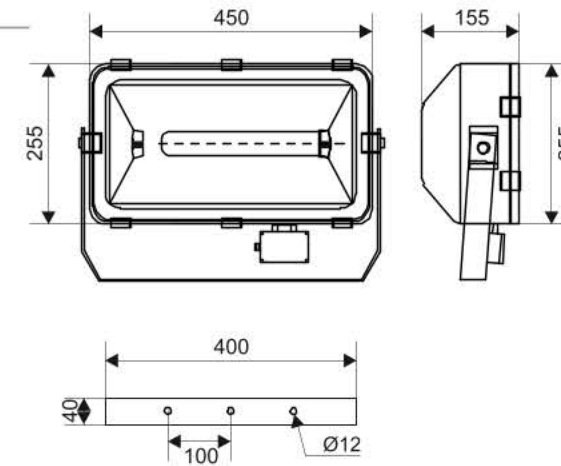


**IP67**

MARINE BRIGHT SOLUTIONS

## DIMENSIONS

Code	Voltage	Frequency	Power	Lamp
AEGEAN 2-E40	PLEASE SEE THE BALLAST UNIT TABLE			E40



## Order Codes

Code	Voltage	Frequency	Ballast
BU-250-11	230V	50 Hz	11.5 Kg
BU-250-12	230V	60 Hz	11.5 Kg
BU-250-14	110V	60 Hz	11.5 Kg
BU-400-11	230V	50 Hz	12 Kg
BU-400-12	230V	60 Hz	12 Kg
BU-400-14	110V	60 Hz	12 Kg



## TECHNICAL DATA

### Application Area

- Multipurpose floodlights for engine rooms, weather-exposed areas, cargo holds, deck, stores, workshops, industrial areas

### Mounting

- Stainless steel bracket with three holes Ø12

### Design

- According to the rules of international classification societies, VDE and IEC

### Electric

- 230 V 50 or 60 Hz, Flexible cable, heat resistant

### Housing

- Stainless steel, powder coated white RAL 9016
- Diffuser made of safety glass
- Reflector made of anodized aluminum, wide beam angle

### Lamps

- E40 max 400W

### Cable entry

- Brass cable gland M20

### Connection

- 3 pole terminal 6mm<sup>2</sup>
- Junction box (optional)

# STAINLESS STEEL FLOODLIGHT FOR HST HSI E40 LAMP

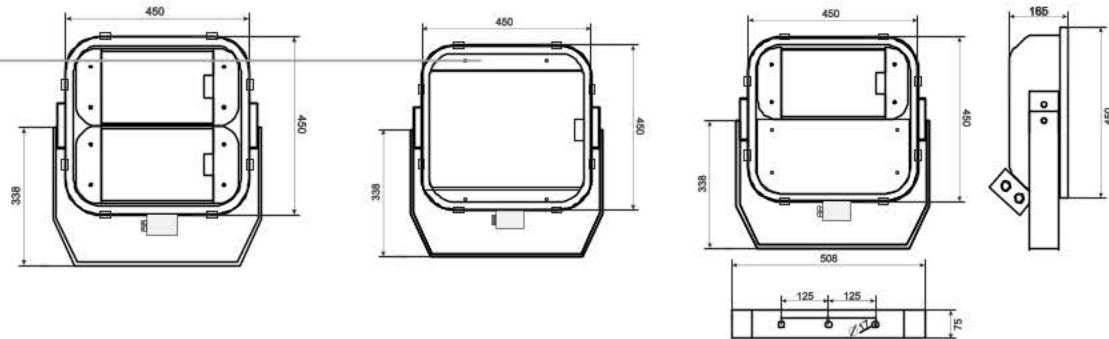
AEGEAN 3

IP67



## DIMENSIONS

Code	Voltage	Frequency	Power	Lamp
AEGEAN 3-2E40	PLEASE SEE THE BALLAST UNIT TABLE			2xE40
AEGEAN 3-E40	PLEASE SEE THE BALLAST UNIT TABLE			E40



Code	Voltage	Frequency	Ballast
BU-250-21	230V	50 Hz	19 Kg
BU-250-22	230V	60 Hz	19 Kg
BU-250-24	110V	60 Hz	19 Kg
BU-400-21	230V	50 Hz	20 Kg
BU-400-22	230V	60 Hz	20 Kg
BU-400-24	110V	60 Hz	20 Kg

## Order Codes

Code	Voltage	Frequency	Lamp
BU-1000-11	230V	50 Hz	19 Kg
BU-1000-12	230V	60 Hz	19 Kg



Code	Voltage	Frequency	Weight
AEGEAN 3-250-11	230V	50 Hz	20 Kg
AEGEAN 3-250-12	230V	60 Hz	20 Kg
AEGEAN 3-250-14	110V	60 Hz	20 Kg
AEGEAN 3-400-11	230V	50 Hz	20 Kg
AEGEAN 3-400-12	230V	60 Hz	20 Kg
AEGEAN 3-400-14	110V	60 Hz	20 Kg

## TECHNICAL DATA

### Application Area

- Multipurpose floodlights for engine rooms, weather-exposed areas, cargo holds, deck, stores, workshops, industrial areas

### Design

- According to the rules of international classification societies, VDE and IEC

### Housing

- Stainless steel, powder coated white RAL 9016
- Diffuser made of safety glass
- Reflector made of anodized aluminum, wide or narrow beam angle

### Lamps

- HST/HSI-E40

### Mounting

- Stainless steel bracket with three holes Ø17

### Electric

- 230 V 50 or 60 Hz, Flexible cable, heat resistant

### Cable entry

- Brass cable gland M25

### Connection

- Junction box with 6mm<sup>2</sup> terminal and ignitors



**SEABRIGHT**<sup>®</sup>  
BY A. MALLIOS





OUTDOOR LIGHTS

MARINE **BRIGHT**  
SOLUTIONS

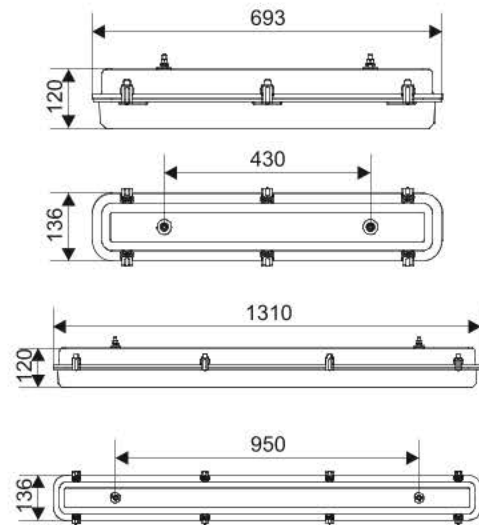
# SURFACE WATERTIGHT FLUORESCENT LUMINARY

POSEIDON



IP67

MARINE BRIGHT SOLUTIONS



CODE	VOLTAGE	FREQUENCY	BALLAST	LAMP	CODE	VOLTAGE	FREQUENCY	BALLAST	LAMP
POSEIDON 118-11	230V	50Hz	1 MAGNETIC	G13	POSEIDON 136-11	230V	50Hz	1 MAGNETIC	G13
POSEIDON 118-12	230V	60Hz	1 MAGNETIC	G13	POSEIDON 136-12	230V	60Hz	1 MAGNETIC	G13
POSEIDON 118-14	110V	60Hz	1 MAGNETIC	G13	POSEIDON 136-14	110V	60Hz	1 MAGNETIC	G13
POSEIDON 118-35	220-240V	50-60Hz	1 ELECTRONIC	G13	POSEIDON 136-35	220-240V	50-60Hz	1 ELECTRONIC	G13
POSEIDON 118-45	220-240V	50-60z	1 ELECTRONIC+3H EMERG.	G13	POSEIDON 136-45	220-240V	50-60z	1 ELECTRONIC+3H EMERG.	G13
POSEIDON 114-35	220-240V	50-60z	1 ELECTRONIC	G5	POSEIDON 128-35	220-240V	50-60z	1 ELECTRONIC	G5
POSEIDON 124-35	220-240V	50-60z	1 ELECTRONIC	G5	POSEIDON 154-35	220-240V	50-60z	1 ELECTRONIC	G5
POSEIDON 114-45	220-240V	50-60z	1 ELECTRONIC+3H EMERG.	G5	POSEIDON 128-45	220-240V	50-60z	1 ELECTRONIC+3H EMERG.	G5
POSEIDON 124-45	220-240V	50-60z	1 ELECTRONIC+3H EMERG.	G5	POSEIDON 135-45	220-240V	50-60z	1 ELECTRONIC+3H EMERG.	G5
POSEIDON 218-11	230V	50Hz	1 MAGNETIC	G13	POSEIDON 236-21	230V	50Hz	2 MAGNETICS	G13
POSEIDON 218-12	230V	60Hz	1 MAGNETIC	G13	POSEIDON 236-22	230V	60Hz	2 MAGNETICS	G13
POSEIDON 218-21	230V	50Hz	2 MAGNETICS	G13	POSEIDON 236-24	110V	60Hz	2 MAGNETICS	G13
POSEIDON 218-22	230V	60Hz	2 MAGNETICS	G13	POSEIDON 236-35	220-240V	50-60z	1 ELECTRONIC	G13
POSEIDON 218-24	110V	60Hz	2 MAGNETICS	G13	POSEIDON 236-45	220-240V	50-60z	1 ELECTRONIC+3H EMERG.	G13
POSEIDON 218-35	220-240V	50-60z	1 ELECTRONIC	G13	POSEIDON 228-35	220-240V	50-60z	1 ELECTRONIC	G5
POSEIDON 218-45	220-240V	50-60z	1 ELECTRONIC+3H EMERG.	G13	POSEIDON 235-35	220-240V	50-60z	1 ELECTRONIC	G5
POSEIDON 214-35	220-240V	50-60z	1 ELECTRONIC	G5	POSEIDON 254-35	220-240V	50-60z	1 ELECTRONIC	G5
POSEIDON 224-35	220-240V	50-60z	1 ELECTRONIC	G5	POSEIDON 228-45	220-240V	50-60z	1 ELECTRONIC+3H EMERG.	G5
POSEIDON 214-45	220-240V	50-60z	1 ELECTRONIC+3H EMERG.	G5	POSEIDON 235-45	220-240V	50-60z	1 ELECTRONIC+3H EMERG.	G5
POSEIDON 224-45	220-240V	50-60z	1 ELECTRONIC+3H EMERG.	G5	POSEIDON 254-45	220-240V	50-60z	1 ELECTRONIC+3H EMERG.	G5

## TECHNICAL DATA

### Application Area

- Multipurpose luminaries for engine rooms, weather-exposed areas, cargo holds, deck, stores, workshops, industrial areas

### Design

- According to the rules of international classification societies, VDE and IEC

### Housing

- Zinc coated steel, powder coated white RAL 9016 (stainless steel version available)
- Diffuser made of clear polycarbonate, UV stabilized (opal diffuser available)

### Lamps

- 18W T8 G13
- 36W T8 G13
- 14W T5 G5
- 24W T5 G5
- 28W T5 G5
- 35W T5 G5

### Mounting

- Two holes Ø8 (additional mounting systems available, see the drawings)

### Connection

- Pass through wiring with terminal 10mm<sup>2</sup>
  - Junction box
- Pass through with Wieland watertight connector

### Electric

- 230 V 50 or 60 Hz, Flexible cable, heat resistant up 105 °C (additional electrical systems available, please see the order codes table)

### Cable entry

- Two cable glands M20 and two stop plugs M20

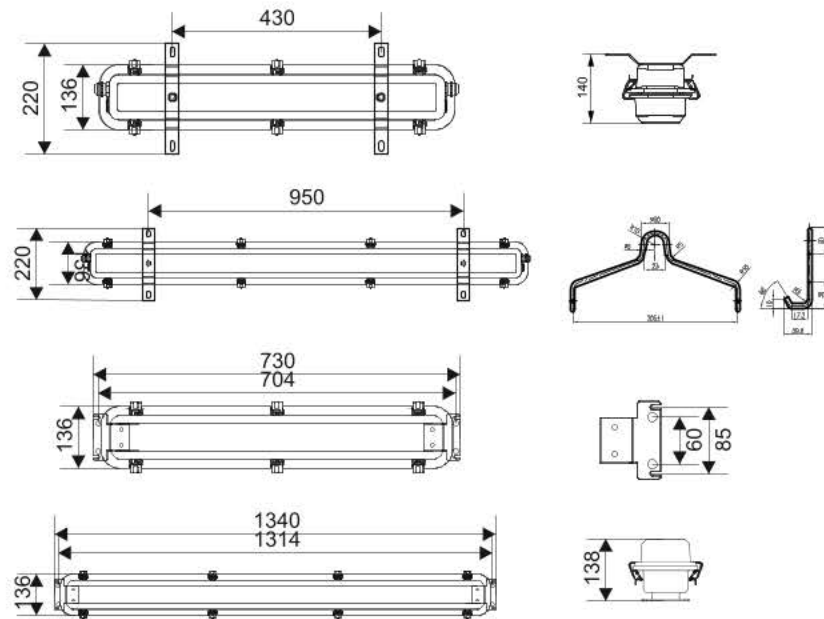
# SURFACE WATERTIGHT FLUORESCENT LUMINARY

POSEIDON

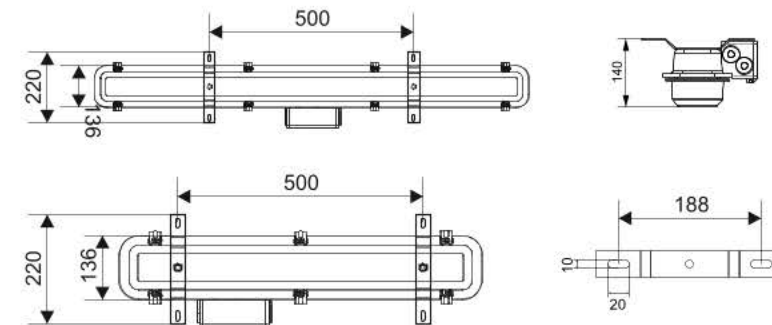


IP67

LED



CODE	VOLTAGE	FREQUENCY	POWER	CCT	CRI
POSEIDON LED-56-3	220-240V	50-60Hz	20W	3000K	>80
POSEIDON LED-56-4	220-240V	50-60Hz	20W	4000K	>80
POSEIDON LED-56-5	220-240V	50-60Hz	20W	5000K	>80
POSEIDON LED-112-3	220-240V	50-60Hz	35W	3000K	>80
POSEIDON LED-112-4	220-240V	50-60Hz	35W	4000K	>80
POSEIDON LED-112-5	220-240V	50-60Hz	35W	5000K	>80



## TECHNICAL DATA

### Application Area

- Multipurpose led luminaries for engine rooms, weather-exposed areas, cargo holds, deck, stores, workshops, industrial areas

### Housing

- Zinc coated steel, powder coated white RAL 9016 (stainless steel version available)
- Diffuser made of clear polycarbonate, UV stabilized (opal diffuser available)

### Design

- According to the rules of international classification societies, VDE and IEC

### Lamps

- LED modules

### Mounting

- Two holes Ø8 (additional mounting systems available, see the drawings)

### Electric

- 230 V 50-60 Hz, Flexible cable, heat resistant up 105 °C (additional electrical systems available, please see the order codes table)

### Cable entry

- Two cable glands M20 and two stop plugs M20

### Connection

- Pass through wiring with terminal 10mm<sup>2</sup> Junction box
- Pass through with Wieland watertight connector

## SURFACE WATERTIGHT LED LUMINARY

TUBE LED



IP69



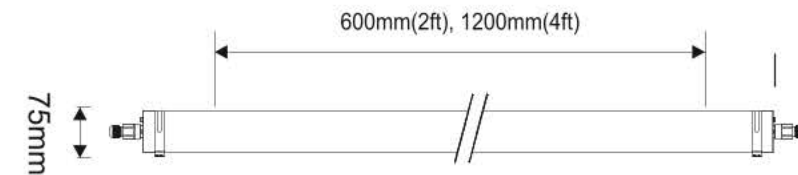
### PRODUCT DESCRIPTION

Waterlight cylindrical led light suitable for harsh environments.

The batters use high lumen SMD chips and a high transmittance PMMA cover giving a uniform and soft light output. With waterproof IP69K connections at both ends they can be linked, and the special clip-on bracket design makes an easy installation

### DIMENSIONS

Code	Voltage	Frequency	Power	CCT	CRI
TUBE LED 56-4	220-240V	50-60 Hz	20W	4000K	>80
TUBE LED 112-4	220-240V	50-60 Hz	33W	4000K	>80



### TECHNICAL DATA

#### Application Area

- Multipurpose LED light for engine rooms, weather-exposed areas, cargo holds, deck, stores, workshops, industrial areas

#### Housing

- PPMA - Stainless steel end cups

#### Mounting

- Stainless steel mounting kit (x2)

#### Connection

- Pass through wiring IP69 Connectors (x2)

20

SEABRIGHT<sup>®</sup>

BY A. MALLIOS

# EXPLOSION PROOF SURFACE WATERTIGHT LED LUMINAIRE

KLEX 1011

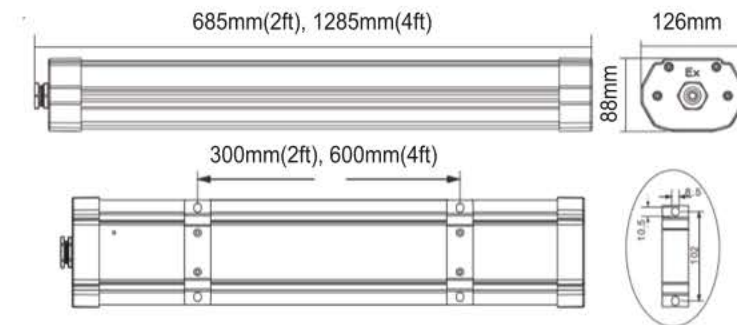


## PRODUCT DESCRIPTION

Explosion proof LED luminaire, surface mounting for Zone 1 and 2

## DIMENSIONS

Code	Voltage	Frequency	Power	CCT	CRI
KLEX 1011-2F	100-277V	50-60 Hz	36W	4000K	>80
KLEX 1011-4F	100-277V	50-60 Hz	36W	4000K	>80



## TECHNICAL DATA

### Application Area

- Explosion proof areas for Zone 1, 2, 21, 22

### Connection

- Pass through wiring

### Housing

- Anodized aluminum
- Polycarbonate diffuser

### Mounting

- Stainless steel brackets

### Lamps

- LED Module

### Cable entry

- Cable glands M25 (x2)

### Ex Mark

- -II 2 G Ex eb mb op is IIC T5...T6 Gb  
II 2 D Ex op is tb IIIC T80°C Db

# SURFACE FLUORESCENT LUMINARY

SOFIA

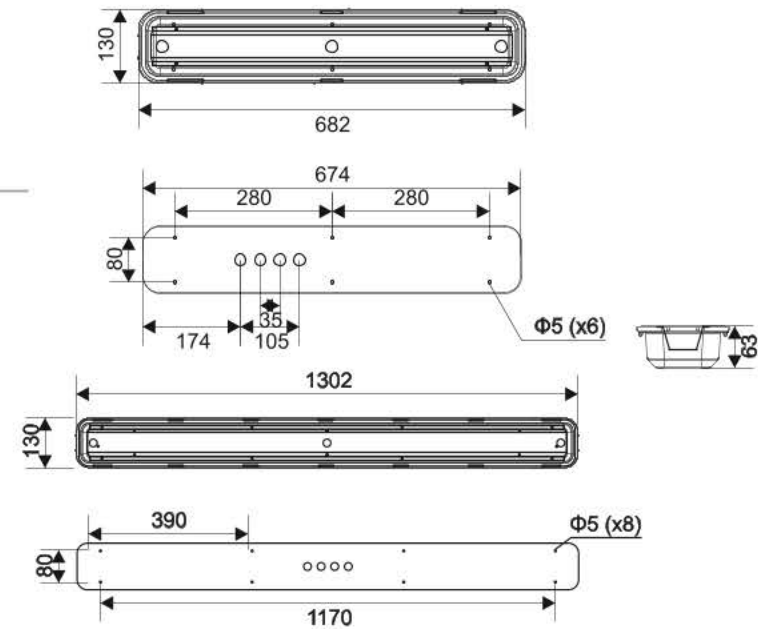


IP44

MARINE BRIGHT SOLUTIONS

## DIMENSIONS

Code	Voltage	Frequency	Ballast	Lamp
SOFIA 214-35	220-240V	50-60Hz	1 ELECTRONIC	T5-14 or 24W
SOFIA 228-35	220-240V	50-60Hz	1 ELECTRONIC	T5-28 or 35W
SOFIA 254-35	220-240V	50-60Hz	1 ELECTRONIC	T5-54W



## TECHNICAL DATA

### Application Area

- Surface luminary for kitchens, galleys, pantries and provision stores, where there are strict hygiene rules

### Design

- According to rules of USPH (U.S.Puplic Health) and to rules of maritime classification societies, additional VDE and IEC/EN

### Housing

- Stainless steel
- Diffuser made of clear polycarbonate, UV stabilized (opal diffuser available)

### Mounting

- Four or six holes (Please see the drawings)

### Electric

- 220-240 V 50-60 Hz, Flexible cable, heat resistant up 105 °C (additional electrical systems available, please see the order codes table)

### Cable entry

- Two cable grommets M20

### Connection

- Pass through wiring with push terminal 2.5mm<sup>2</sup>
- Pass through with Wieland watertight connector

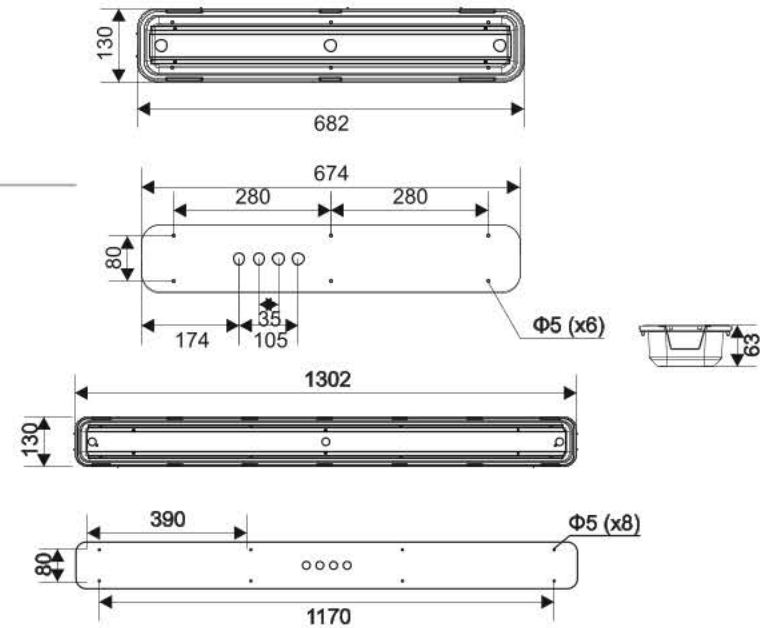
# SURFACE FLUORESCENT LUMINARY

SOFIA



## DIMENSIONS

Code	Voltage	Frequency	Wattage	CCT
SOFIA LED-56-3	220-240V	50-60Hz	18W	3000 K
SOFIA LED-112-3	220-240V	50-60Hz	32W	3000 K
SOFIA LED-56-4	220-240V	50-60Hz	18W	4000 K
SOFIA LED-112-4	220-240V	50-60Hz	32W	4000 K
SOFIA LED-56-5	220-240V	50-60Hz	18W	5000 K
SOFIA LED-112-5	220-240V	50-60Hz	32W	5000 K



## TECHNICAL DATA

### Application Area

- Surface luminary for kitchens, galleys, pantries and provision stores, where there are strict hygiene rules

### Design

- According to rules of USPH (U.S. Public Health) and to rules of maritime classification societies, additional VDE and IEC/EN

### Housing

- Stainless steel
- Diffuser made of clear polycarbonate, UV stabilized (opal diffuser available)

### Mounting

- Four or six holes (Please see the drawings)

### Electric

- 220-240 V 50-60 Hz, Flexible cable, heat resistant up 105 °C (additional electrical systems available, please see the order codes table)

### Cable entry

- Two cable grommets M20

### Connection

- Pass through wiring with push terminal 2.5mm<sup>2</sup>
- Pass through with Wieland watertight connector



IP65

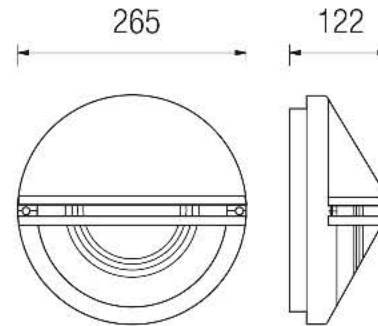
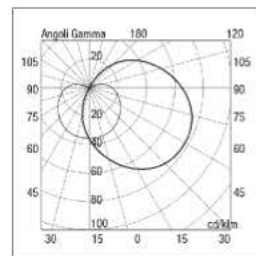
PRODUCT DESCRIPTION

Indoor and Outdoor luminaire constructed of :

**NOTES**  
Luminaires are supplied with a glass diffuser

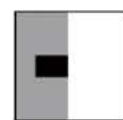
- Painted die-cast aluminium body
- Aluminium reflector
- EPDM gasket
- Stainless steel screws
- Painting using high resistance to UV and corrosion polyester powders

DIMENSIONS

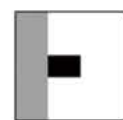


Order Code	Lampholder	Colours
ELMA/W	E27	White
ELMA/B	E27	Black
ELMA/S	E27	Silver

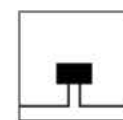
TECHNICAL DATA



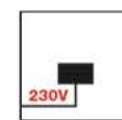
Recessed wall version



Wall mounting



Double power supply entry cables



LED:  
The luminaire is supplied with a Full Range 100;240V 50;60Hz built-in transformer.



CS 93:  
ACCESSORY  
Technopolymer holder to be recessed flush with the wall before the installation of the luminaire.  
Ψ mm 260 h mm 60



Glass diffuser  
Impact Energy (J):  
0,5



Polycarbonate diffuser  
Impact Energy (J):  
2



# OUTDOOR LIGHTS

PAMAL



IP65

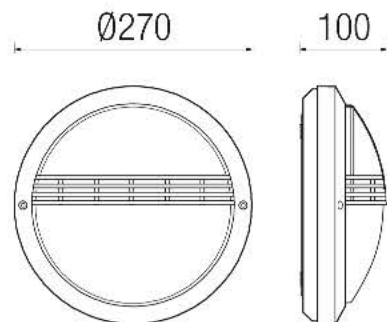
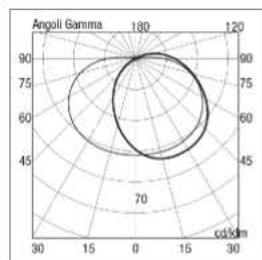
## PRODUCT DESCRIPTION

Indoor and Outdoor luminaire constructed of :

**NOTES**  
Luminaires are supplied with a glass diffuser

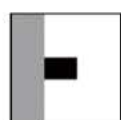
- Painted die-cast aluminium body
- Aluminium reflector
- EPDM gasket
- Stainless steel screws
- Painting using high resistance to UV and corrosion polyester powders

## DIMENSIONS

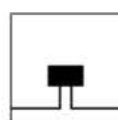


Order Code	Lampholder	Colours
PAMAL / W	E27	White
PAMAL / B	E27	Black
PAMAL / S	E27	Silver

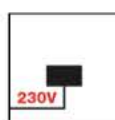
## TECHNICAL DATA



Wall mounting



Double power supply entry cables



LED:  
The luminaire is supplied with a Full Range 100:240V 50/60Hz built-in transformer.



Glass diffuser  
Impact Energy (J):  
0,35



Polycarbonate diffuser  
Impact Energy (J):  
2





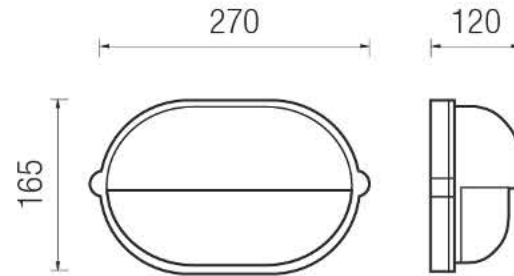
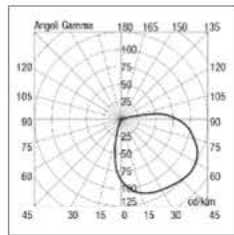
IP65

PRODUCT DESCRIPTION

Indoor and Outdoor luminaire constructed of :

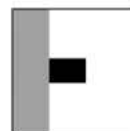
- NOTES**  
Luminaires are supplied with a glass diffuser.  
Available also with polycarbonate diffuser on request.  
Available with glass or polycarbonate diffuser.
- Painted die-cast aluminium body
  - Opal polycarbonate or satin glass diffuser
  - Aluminium reflector
  - EPDM gasket
  - Stainless steel screws
  - Painting using high resistance to UV and corrosion polyester powders

DIMENSIONS

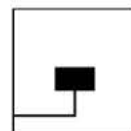


Order Code	Lampholder	Colours
OMICRON / W	E27	White
OMICRON / B	E27	Black
OMICRON / S	E27	Silver

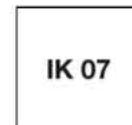
TECHNICAL DATA



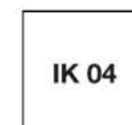
Wall mounting



Single power supply cables input



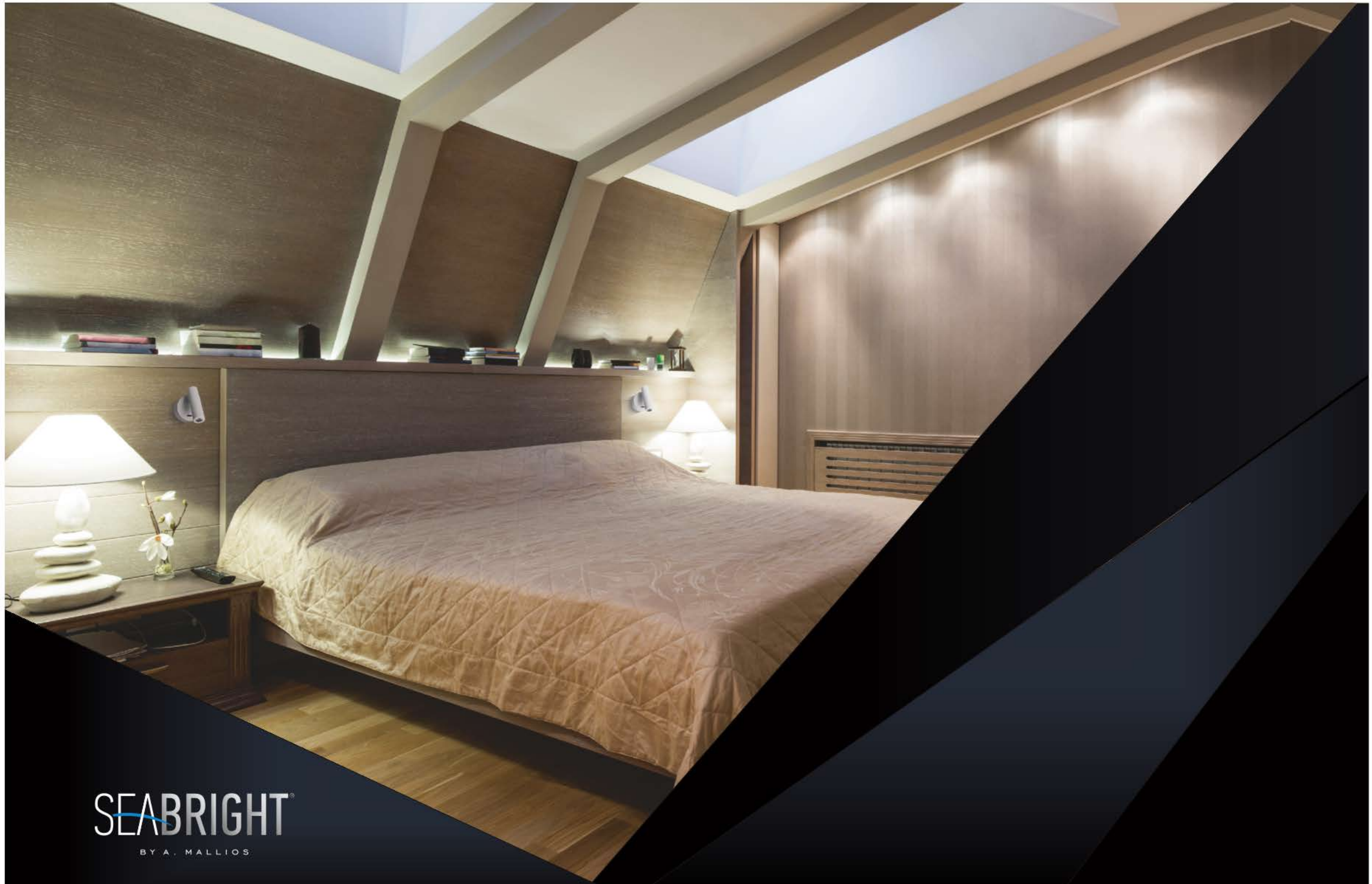
Polycarbonate diffuser  
Impact Energy (J):  
2



Glass diffuser  
Impact Energy (J):  
0,5







**SEABRIGHT**<sup>®</sup>  
BY A. MALLIOS



INDOOR LIGHTS

MARINE **BRIGHT**  
SOLUTIONS

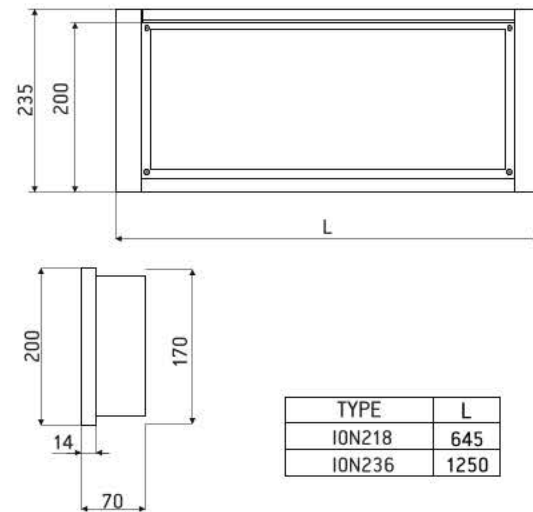
# RECESSED FLUORESCENT LUMINARY

IONIAN



## Order Codes

### DIMENSIONS



CODE	VOLTAGE	FREQUENCY	BALLAST	LAMP
IONIAN 218-11	230V	50Hz	1 MAGNETIC WITH CAPACITOR	18W T8
IONIAN 218-12	230V	60Hz	1 MAGNETIC WITH CAPACITOR	18W T8
IONIAN 218-21	230V	50Hz	2 MAGNETIC WITH CAPACITOR	18W T8
IONIAN 218-22	230V	60Hz	2 MAGNETIC WITH CAPACITOR	18W T8
IONIAN218-24	110V	60Hz	2 MAGNETIC WITH CAPACITOR	18W T8
IONIAN218-35	230V	50-60Hz	1 ELECTRONIC	18W T8
IONIAN218-45	230V	50-60Hz	1 ELECTRONIC + 3h EMERGENCY KIT	18W T8
IONIAN236-21	230V	50Hz	2 MAGNETIC WITH CAPACITOR	36W T8
IONIAN236-22	230V	60Hz	2 MAGNETIC WITH CAPACITOR	36W T8
IONIAN236-24	110V	60Hz	2 MAGNETIC WITH CAPACITOR	36W T8
IONIAN236-35	230V	50-60Hz	1 ELECTRONIC	36W T8
IONIAN236-45	230V	50-60Hz	1 ELECTRONIC + 3h EMERGENCY KIT	36W T8

### TECHNICAL DATA

#### Application Area

- Recessed luminary for passage ways, cabins, corridors, lounges, dinning rooms, accommodation areas

#### Design

- According to the rules of international classification societies, VDE and IEC

#### Housing

- Zinc coated steel, powder coated RAL9010
- Diffuser made of opal acrylic

#### Mounting

- Four Mounting Brackets

#### Lamps

- 18/36 Watt T8

#### Electric

- 230V 50 or 60Hz, Flexible cable, heat resistant up to 105°C

#### Cable entry

- Two cable inlets 20mm

#### Protection

- IP20

#### Options

- IP44 model
- Transparent diffuser
- Emergency battery kit
- Emergency E14 lampholder

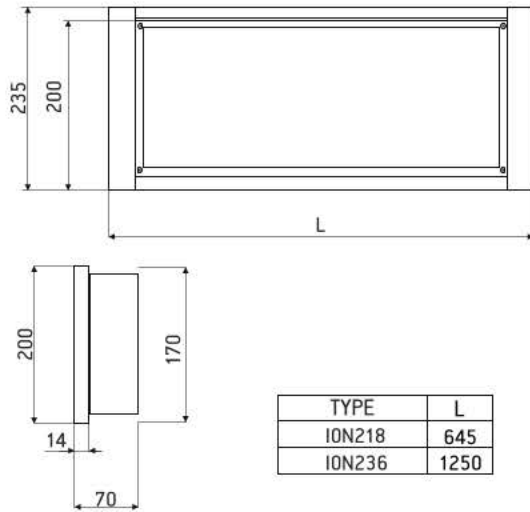
# RECESSED FLUORESCENT LUMINARY

IONIAN



MARINE BRIGHT SOLUTIONS

## DIMENSIONS



C O D E	VOLTAGE	FREQUENCY	WATTAGE	CCT
IONIAN LED-56-3	220-240V	50-60Hz	18W	3000 K
IONIAN LED-112-3	220-240V	50-60Hz	32W	3000 K
IONIAN LED-56-4	220-240V	50-60Hz	18W	4000 K
IONIAN LED-112-4	220-240V	50-60Hz	32W	4000 K
IONIAN LED-56-5	220-240V	50-60Hz	18W	5000 K
IONIAN LED-112-5	220-240V	50-60Hz	32W	5000 K

## TECHNICAL DATA

### Application Area

- Recessed, cabins, corridors, lounges, dinning rooms, accomodation areas

### Design

- According to the rules of international classification societies, VDE and IEC

### Housing

- Zinc coated steel, powder coated RAL9010
- Diffuser made of opal acrylic

### Mounting

- Four Mounting Brackets

### Lamps

- LED Module

### Electric

- 230V 50 or 60Hz, Flexible cable, heat resistant up to 105°C

### Protection

- Ip20

### Cable entry

- Two cable inlets 20mm

### Options

- IP44 model
- Transparent diffuser
- Emergency battery kit
- Emergency E14 lampholder



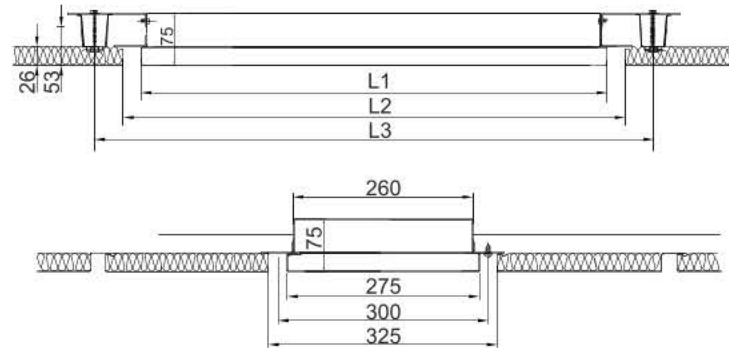
## FLUSH MOUNTED CEILING LUMINARY

IONIAN DAMPA



MARINE BRIGHT SOLUTIONS

### DIMENSIONS



### Order Codes

CODE	VOLTAGE	FREQUENCY	L1	L2	L3	LAMP
IONIAN D 218-11	230V	50Hz				
IONIAN D 218-12	230V	60Hz	655	655	655	18W T8
IONIAN D 218-14	110V	60Hz				
IONIAN D 218-35	220-240V	50-60Hz				
IONIAN D 236-11	230V	50Hz				
IONIAN D 236-12	230V	60Hz	1250	1250	1250	36W T8
IONIAN D 236-14	110V	60Hz				
IONIAN D 236-35	220-240V	50-60Hz				

### TECHNICAL DATA

#### Application Area

- Recessed luminaire for cabins, passenger facilities, corridors, wheelhouses where DAMPA ceilings DCC300 are used.

#### Design

- According to the rules of international classification societies, VDE and IEC

#### Housing

- Zinc coated steel, powder coated RAL9010
- Diffuser made of acrylic

#### Mounting

- Brackets for modular carrier No.16

#### Lamps

- 18/36 Watt T8

#### Electric

- 230V 50 or 60Hz, Flexible cable, heat resistant up to 105°C

#### Cable entry

- Four cable inlets 20mm

#### Protection

- IP22

#### Options

- IP44 model
- Opal diffuser
- Emergency battery kit
- Emergency E14 lampholder



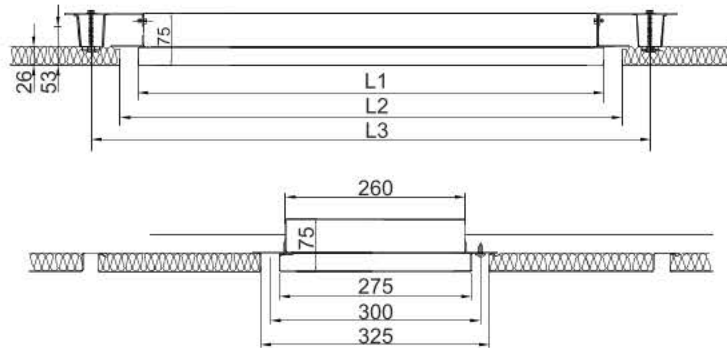
## FLUSH MOUNTED CEILING LUMINARY

IONIAN DAMPA



MARINE BRIGHT SOLUTIONS

### DIMENSIONS



C O D E	VOLTAGE	FREQUENCY	WATTAGE	CCT	L1	L2	L3
IONIAN D LED-56-3	220-240V	50-60Hz	18W	3000 K	645	705	800
IONIAN D LED-112-3	220-240V	50-60Hz	32W	3000 K	1250	1300	1400
IONIAN D LED-56-4	220-240V	50-60Hz	18W	4000 K	645	705	800
IONIAN D LED-112-4	220-240V	50-60Hz	32W	4000 K	1250	1300	1400

### TECHNICAL DATA

#### Application Area

- Recessed luminaire for cabins, passenger facilities, corridors, wheelhouses where DAMPA ceilings DCC300 are used.

#### Design

- According to the rules of international classification societies, VDE and IEC

#### Housing

- Zinc coated steel, powder coated RAL9010
- Diffuser made of acrylic

#### Mounting

- Brackets for modular carrier No.16

#### Lamps

- LED Module

#### Electric

- 230V 50-60Hz, Flexible cable, heat resistant up to 105°C

#### Cable entry

- Four cable inlets 20mm

#### Protection

- IP22

#### Options

- IP44 model
- Opal diffuser
- Emergency battery kit
- Emergency E14 lampholder

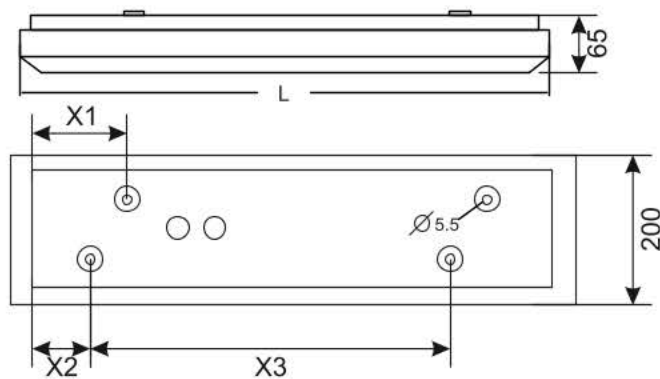
# SURFACE MOUNTED CEILING LUMINARY

PRISMA



IP22

## DIMENSIONS



## Order Codes

CODE	VOLTAGE	FREQUENCY	L	X1	X2	X3	LAMP
PRISMA 218-11	230V	50Hz	670	157	107	382	18W T8
PRISMA 218-12	230V	60Hz	670	157	107	382	18W T8
PRISMA 218-14	110V	60Hz	670	157	107	382	18W T8
PRISMA 218-35	220-240V	50-60Hz	670	157	107	382	18W T8
PRISMA 236-11	230V	50Hz	1270	225	170	860	36W T8
PRISMA 236-12	230V	60Hz	1270	225	170	860	36W T8
PRISMA 236-14	110V	60Hz	1270	225	170	860	36W T8
PRISMA 236-35	220-240V	50-60Hz	1270	225	170	860	36W T8

## TECHNICAL DATA

### Application Area

- Surface luminary for cabins, passenger facilities, corridors, wheelhouses.

### Design

- According to the rules of international classification societies, VDE and IEC

### Housing

- Zinc coated steel, powder coated RAL9010
- Diffuser made of opal acrylic

### Mounting

- Four mounting holes 5.5 mm

### Lamps

- 18:36 Watt T8

### Electric

- 230V 50 or 60Hz.
- Flexible cable, heat resistant up to 105°C

### Cable entry

- Two cable inlets 20mm

### Protection

- IP22

### Options

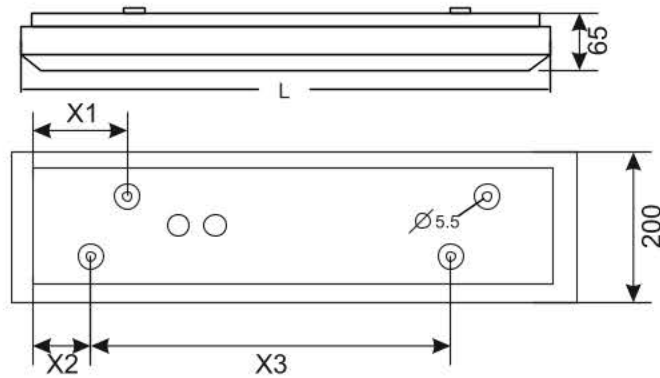
- Transparent diffuser
- Emergency E14 lampholder

# SURFACE FLUORESCENT CORRIDOR LUMINARY

PRISMA LED



## DIMENSIONS



CODE	VOLTAGE	FREQUENCY	WATTAGE	CCT	L	X1	X2	X3
PRISMA LED-56-3	220-240V	50-60Hz	18W	3000 K	670	157	107	382
PRISMA LED-112-3	220-240V	50-60Hz	32W	3000 K	1270	225	170	860
PRISMA LED-56-4	220-240V	50-60Hz	18W	4000 K	670	157	107	382
PRISMA LED-112-4	220-240V	50-60Hz	32W	4000 K	1270	225	170	860

## TECHNICAL DATA

### Application Area

- Surface luminary for cabins, passenger facilities, corridors, wheelhouses.

### Design

- According to the rules of international classification societies, VDE and IEC

### Housing

- Zinc coated steel, powder coated RAL9010
- Diffuser made of opal acrylic

### Mounting

- Four mounting holes 5.5 mm

### Lamps

- LED module

### Electric

- 230V 50 or 60Hz.
- Flexible cable, heat resistant up to 105°C

### Cable entry

- Two cable inlets 20mm

### Protection

- IP22

### Options

- Transparent diffuser
- Emergency E14 lampholder



# SURFACE - LOW PROFILE LED LIGHT

CY 120



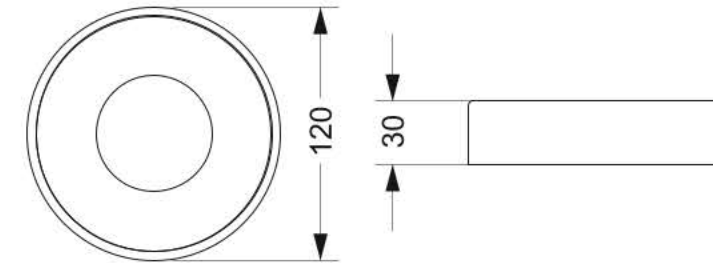
## PRODUCT DESCRIPTION

High performance ceiling LED light. The geometrical figure of the circle guarantees extremely reduced dimensions and an innovative and particular "thinness".

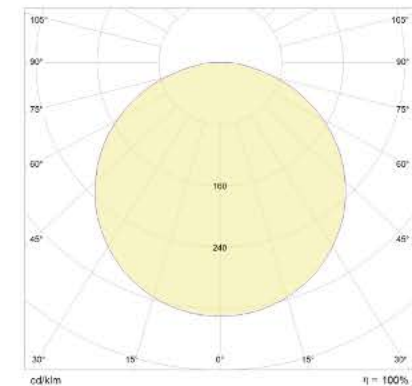
Direct connection to main voltage 230V without driver.

## DIMENSIONS

Code	Voltage	Frequency	Power	CCT	CRI
CY 115-3	220-240V	50-60 Hz	6W	3000K	>80
CY 115-4	220-240V	50-60 Hz	6W	4000K	>80
CY 115-3-10	220-240V	50-60 Hz	10W	3000K	>80
CY 115-3-10	220-240V	50-60 Hz	10W	4000K	>80



## TECHNICAL DATA



**SURFACE - LOW PROFILE LED LIGHT**

**SQ 115**



**IP44**



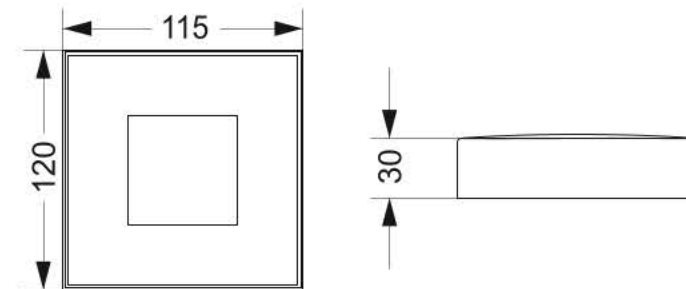
**PRODUCT DESCRIPTION**

High performance ceiling LED light. The geometrical figure of the square guarantees extremely reduced dimensions and an innovative and particular "thinness".

Direct connection to main voltage 230V without driver.

**DIMENSIONS**

Code	Voltage	Frequency	Power	CCT	CRI
SQ 115-3	220-240V	50-60 Hz	6W	3000K	>80
SQ 115-4	220-240V	50-60 Hz	6W	4000K	>80
SQ 115-3-10	220-240V	50-60 Hz	10W	3000K	>80
SQ 115-3-10	220-240V	50-60 Hz	10W	4000K	>80

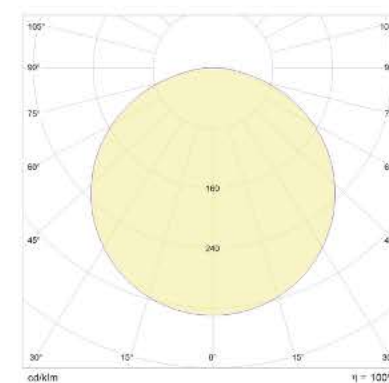


**TECHNICAL DATA**

**Housing**  
• Aluminum

**IP Rate**  
• IP44

**Optional**  
• Dimmable  
and RAL selection



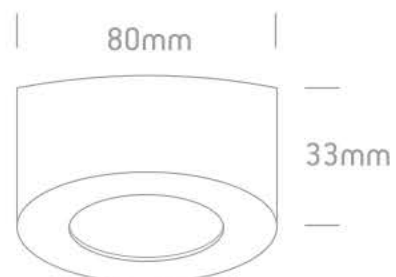




PRODUCT DESCRIPTION

- 7W COB LED Cylinder, available in matt white painting
- RAL Colors Available Upon Request

DIMENSIONS



Order Code	Lampholder	Finish
IRIS/W/W	LED	White



TECHNICAL DATA

**Housing:** Aluminium

**IP rate:** IP20 upon request IP44

**Watts:** 7W

**Voltage:** 220-240V / 50-60Hz

**Beam angle:** 38°

**CT:** 3000K / CRI 80

# SURFACE LED CORRIDOR LUMINARY

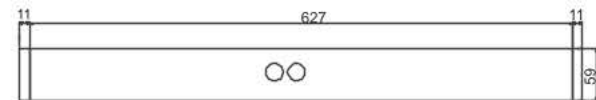
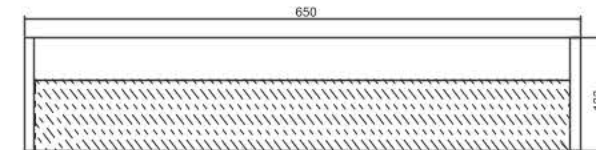
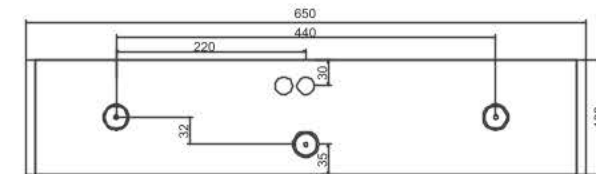
LUNA



MARINE BRIGHT SOLUTIONS

## DIMENSIONS

CODE	VOLTAGE	FREQUENCY	WATTAGE	CCT
LUNA LED-56-3	220-240V	50-60Hz	20W	3000 K
LUNA LED-112-3	220-240V	50-60Hz	35W	3000 K
LUNA LED-56-4	220-240V	50-60Hz	20W	4000 K
LUNA LED-112-4	220-240V	50-60Hz	35W	4000 K



## TECHNICAL DATA

### Application Area

- Corner luminaire for use in passage ways, cabins, corridors lounges dinning rooms, accommodation areas

### Design

- According to the rules of international classification societies, VDE and IEC

### Housing

- Zinc coated steel, powder coated RAL9010
- Diffuser made of opal acrylic

### Mounting

- Three mounting holes 5.5 mm

### Lamps

- LED Module

### Electric

- 230V 50-60Hz, Flexible cable, heat resistant up to 105°C

### Cable entry

- Four cable inlets 20mm

### Protection

- IP22

### Options

- Emergency E14 lampholder

40

SEABRIGHT®

BY A. MALLIOS



# SURFACE FLUORESCENT CORRIDOR LUMINARY

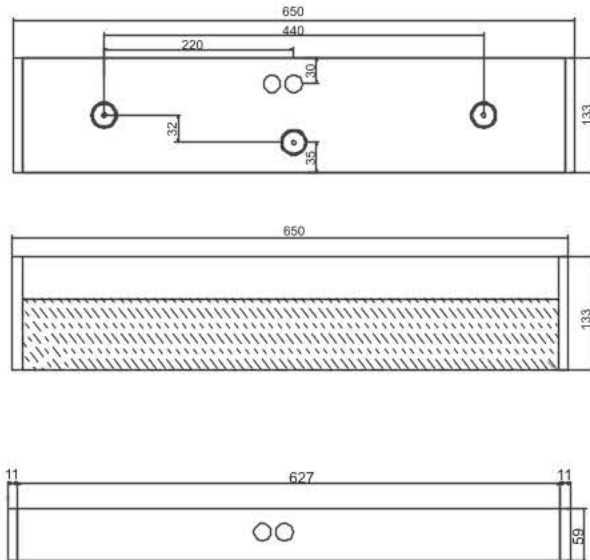
LUNA



MARINE BRIGHT SOLUTIONS

## Order Codes

### DIMENSIONS



CODE	VOLTAGE	FREQUENCY	BALLAST	LAMP
LUNA 118-11	230V	50Hz	1 MAGNETIC WITH CAPACITOR	18W T8
LUNA 118-12	230V	60Hz	1 MAGNETIC WITH CAPACITOR	18W T8
LUNA 118-14	110V	60Hz	1 MAGNETIC WITH CAPACITOR	18W T8
LUNA 118-35	220-240V	50-60Hz	1 ELECTRONIC	18W T8
LUNA 136-11	230V	50Hz	1 MAGNETIC WITH CAPACITOR	36W T8
LUNA 136-12	230V	60Hz	1 MAGNETIC WITH CAPACITOR	36W T8
LUNA 136-14	110V	60Hz	1 MAGNETIC WITH CAPACITOR	36W T8
LUNA 136-35	220-240V	50-60Hz	1 ELECTRONIC	36W T8
LUNA 114-35	220-240V	50-60Hz	1 ELECTRONIC	14W T5
LUNA 124-35	220-240V	50-60Hz	1 ELECTRONIC	24W T5
LUNA 128-35	220-240V	50-60Hz	1 ELECTRONIC	28W T5
LUNA 135-35	220-240V	50-60Hz	1 ELECTRONIC	35W T5

### TECHNICAL DATA

#### Application Area

- Corner luminaire for use in passage ways, cabins, corridors lounges dinning rooms, accommodation areas

#### Design

- According to the rules of international classification societies, VDE and IEC

#### Housing

- Zinc coated steel, powder coated RAL9010
- Diffuser made of opal acrylic

#### Mounting

- Three mounting holes 5.5 mm

#### Lamps

- 18/36 Watt T8

#### Electric

- 230V 50 or 60Hz.
- Flexible cable, heat resistant up to 105°C

#### Cable entry

- Four cable inlets 20mm

#### Protection

- IP22

#### Options

- Emergency E14 lampholder

# WC FLUORESCENT LUMINARY

# WC LUMINARY

MARINE BRIGHT SOLUTIONS

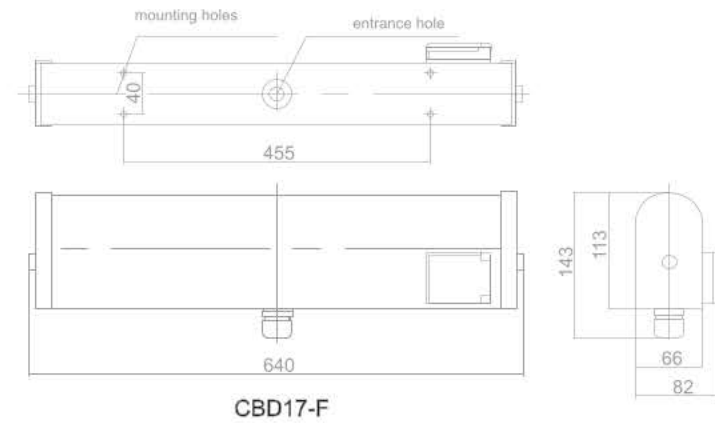
IP44



## DIMENSIONS

### Order Code

Code	Wattage	Voltage	Frequency
WC 118-LL	9 W	100-240V	50-60Hz



## TECHNICAL DATA

### Application Area

- Surface luminary for use in bathrooms

### Design

- According to the rules of international classification societies, VDE and IEC

### Housing

- Aluminum, powder coated RAL9010
- Diffuser made of opal acrylic

### Mounting

- Four mounting holes 6 mm

### Lamps

- Connection for LED tubes

### Electric

- Flexible cable, heat resistant up to 105°C

### Cable entry

- One cable inlet 25mm

### Protection

- IP44

# DOWNLIGHTS

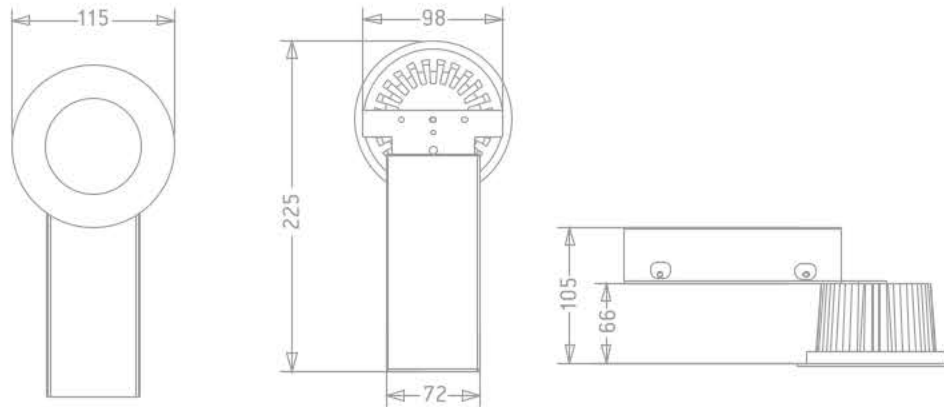
AMADA



## PRODUCT DESCRIPTION

- Led Downlight with reflector and changeable cover ring, for accommodation and public areas.
- According to maritime classification rules and relevant standards.

## DIMENSIONS



## Order Code

Code	CT	Power	Cover Color	Wattage	Beam
AMADA LED	-3 / 4 / 27	-225	-CH / W / G	-S	-S / M / W / WW
-X-X-X-X	-3 / 4 / 27	-325	-CH / W / G	-B	-S / M / W / WW

## DESCRIPTION

Color Temperature : 3000K / 4000K / 2700K  
mA : 225 or 325

Cover Color : Chrome or White or Gold  
Wattage : 8,5W or 12W  
Beam : 12° or 25° or 40° or 60°

## TECHNICAL DATA

**Housing :** Aluminium  
**IP rate :** IP44

**Optional :** 3H Back-up Battery  
and Dimmable

**Watts:** 8,5 or 12,5W  
**Voltage:** 220-240V / 50-60Hz  
Upon Request 110V

# DOWNLIGHTS

NORA

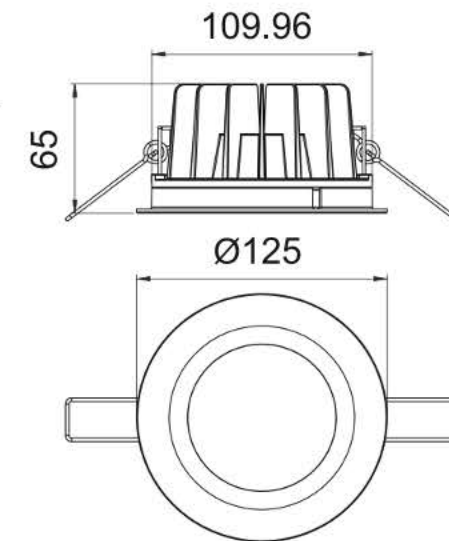


## PRODUCT DESCRIPTION

High performance LED downlight, ideal for outdoor use. Extremely shallow recessed depth with side springs for easy installation.

## DIMENSIONS

Code	Voltage	Frequency	Power	CCT	CRI
NORA LED - 3	220-240V	50-60 Hz	10W	3000K	>80
NORA LED - 4	220-240V	50-60 Hz	10W	4000K	>80



## TECHNICAL DATA

**Housing**  
• Aluminum

**Diffuser**  
• Clear safety glass

**IP Rate**  
• IP56

**Optional**  
• Dimmable  
and RAL selection

**Available lens**  
• 21°, 36°, 49°



## BATHROOM LIGHT

CLEOPATRA B



## PRODUCT DESCRIPTION

- IP44 bathroom light, ideal for mirror illumination, complete with T8 LED tube

## DIMENSIONS



## Order Code

Code	Lampholder	Finish
CLEOPATRA B	G13	CHROME

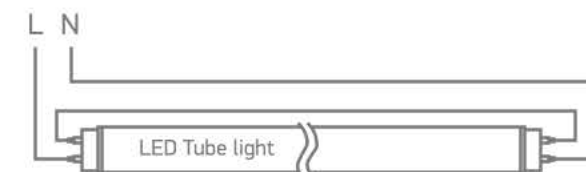


## TECHNICAL DATA

**Input Voltage:** 100-240V AC  
**Lamp Type:** T8 LED 60cm  
**Number of Lamps:** 1

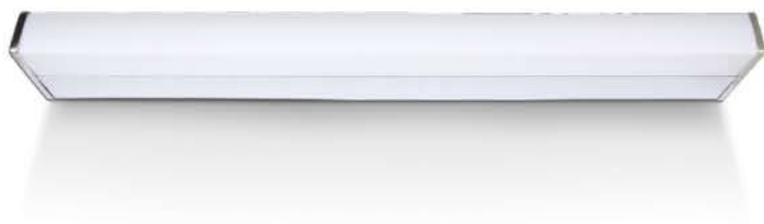
**IP rate:** IP44  
**Construction:** Die cast  
**Diffuser:** Frosted acrylic

## WIRING DIAGRAM



# BATHROOM LIGHT

CLEOPATRA



## PRODUCT DESCRIPTION

- IP44 bathroom light, ideal for mirror illumination, complete with T8 LED tube

## DIMENSIONS



### Order Code

### Lampholder

### Finish

CLEOPATRA

G13

Chrome



## TECHNICAL DATA

**Input Voltage:** 220-240V AC

**Lamp Type:** T8 LED 60cm

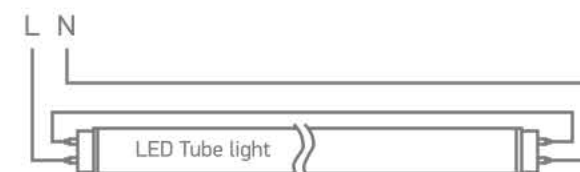
**Number of Lamps:** 1

**IP rate:** Ip44

**Construction:** Die cast

**Diffuser:** Frosted acrylic

## WIRING DIAGRAM



## READING WALL LIGHT

TINOS

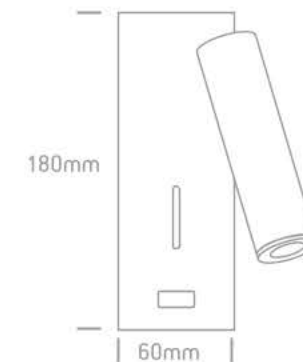


### PRODUCT DESCRIPTION

- 1W bedside wall light with switch, in Black, Nickel and White Finish

### DIMENSIONS

Order Code	Lampholder	Finish
TINOS / W / W	LED	WHITE
TINOS / B / W	LED	BLACK
TINOS / N / W	LED	CHROME



### TECHNICAL DATA

**Housing :** Aluminium

**IP rate :** IP20

**Watts:** 3W

**Voltage:** 100-240V / 50-60Hz

**Beam angle :** 36°

**CT:** 3000K / CRI 80



## READING WALL LIGHT

IKAROS



### PRODUCT DESCRIPTION

- 3W LED Reading wall spot, ideal for bedside installation
- Complies with standard EN60598-1 and any other specific standards

### DIMENSIONS

Order Code	Lampholder	Finish
IKAROS / W / W	LED	WHITE
IKAROS / B / W	LED	BLACK



### TECHNICAL DATA

**Housing :** Aluminium

**IP rate :** IP20

**Watts:** 3W

**Voltage:** 100-240V / 50-60Hz

**Beam angle :** 36°

**CT:** 3000K / CRI 80

## READING WALL LIGHT

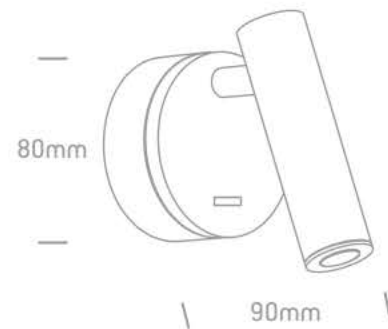
SYROS



### PRODUCT DESCRIPTION

- 1W bedside wall light with switch, in Natural Aluminium and White Finish

### DIMENSIONS



Order Code	Lampholder	Finish
SYROS / AL / W	LED	Natural Aluminium
SYROS / W / W	LED	White



### TECHNICAL DATA

**Housing:** Aluminium

**IP rate:** IP20

**Watts:** 3W

**Voltage:** 100-240V / 50-60Hz

**Beam angle:** 36°

**CT:** 3000K / CRI 80

50

**SEABRIGHT**  
BY A. MALLIOS

## SURFACE FLUORESCENT LUMINARY

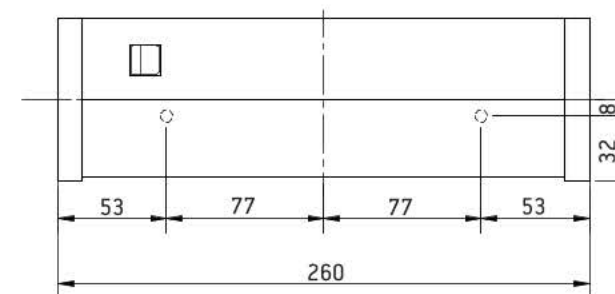
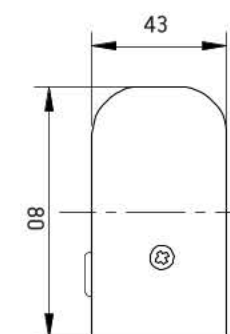
CLIO



### DIMENSIONS

### Order Code

Code	Voltage	Frequency	Ballast	Lamp
CLIO 9-11	230V	50Hz	1 MAGNETIC	G23
CLIO 9-12	230V	60Hz	1 MAGNETIC	G23
CLIO 9-13	110V	60Hz	1 MAGNETIC	G23
CLIO LED	220-240V	50-60Hz	1 DRIVER	LED



### TECHNICAL DATA

#### Application Area

- Surface luminary for use in cabins

#### Design

- According to the rules of international classification societies, VDE and IEC

#### Housing

- Aluminium, power coated
- Diffuser made of opal polycarbonate

#### Mounting

- Two mounting holes,  $\varnothing$  6mm

#### Electric

- 230 V 50 or 60 Hz, Flexible cable, heat resistant up 105 °C

#### Cable entry

- One cable inlet 20 x 13 mm

#### Lamps

- 7-9 Watt G23
- 5 Watt LED

## DECORATIVE WALL LIGHT

DECO

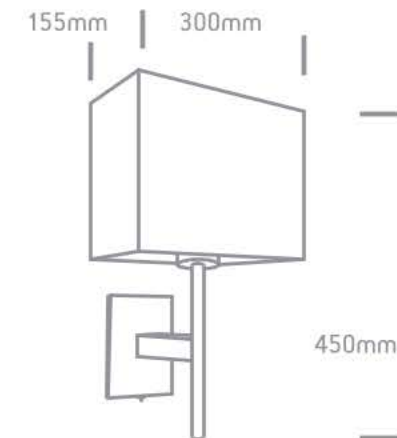


### PRODUCT DESCRIPTION

Metal + white fabric shade

### DIMENSIONS

Order Code	Colour	Watts	Input	Notes
DECO/A	CHROME	MAX 40W / E27	100-240V	WITH ON/OFF SWITCH



### TECHNICAL DATA



## DECORATIVE WALL LIGHT

DECO



### PRODUCT DESCRIPTION

Metal + white fabric shade

### DIMENSIONS

Order Code	Colour	Watts	Input	Notes
DECO/B	CHROME	MAX 40W / E27	100-240V	WITH ON/OFF SWITCH



### TECHNICAL DATA

CE   IP20 



SEABRIGHT®  
BY A. MALLIOS



# EMERGENCY LIGHTS

MARINE **BRIGHT**  
SOLUTIONS

## OUTDOOR EMERGENCY LUMINARIES

GR-939/15L/MAR

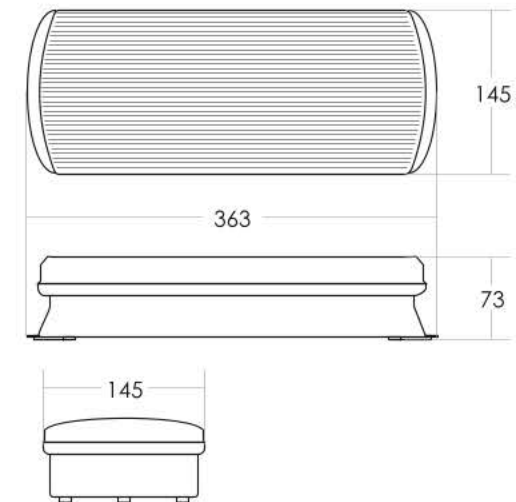


IP65



### DIMENSIONS

OPERATION VOLTAGE	220-240V AC/ 50-60Hz
MAXIMUM POWER CONSUMPTION	3,5W/7,5VA
BATTERY (Ni-Cd)	3,6V/ 1,5Ah
BATTERY PROTECTION	From overcharge and full discharge
INDICATIONS - CONTROLS	Charge, LED fault, Indication LED, Test button
CHARGING TIME	24H
MINIMUM AUTONOMOUS DURATION	180 min
ILLUMINATION SOURCE	15 white LEDs
ILLUMINATION (230V/EMERGENCY)	150/105 lm
DEGREES OF COVER PROTECTION	IP67



### TECHNICAL DATA

#### Application Area

- Self testing emergency luminaires for use to the outdoor spaces of the vessel.

#### Housing

- Polycarbonate
- Diffuser made of clear polycarbonate

#### Design

- According to the rules of international classification societies, VDE and IEC

#### Mounting

- Wall or ceiling installation

#### Lamps

- LED module

#### Electric

- 230V 50-60Hz. Flexible cable, heat resistant up to 105°C.



## OUTDOOR EMERGENCY LUMINARIES

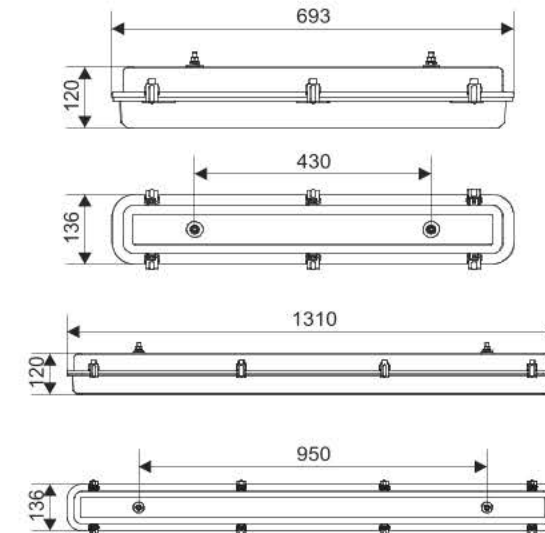
POSEIDON 218/36-45



IP65

### DIMENSIONS

<b>OPERATION VOLTAGE</b>	220-240V AC/ 50-60Hz
<b>MAXIMUM POWER CONSUMPTION</b>	42,5W(2x18W) 77W(2x36W)
<b>BATTERY (Ni-Cd)</b>	3,6V/ 3Ah(2x18W) or 3.6V/4Ah(2x36W)
<b>BATTERY PROTECTION</b>	From overcharge and full discharge
<b>INDICATIONS - CONTROLS</b>	Charge, Indication LED, Test button
<b>CHARGING TIME</b>	24H
<b>MINIMUM AUTONOMOUS DURATION</b>	180 min
<b>ILLUMINATION SOURCE</b>	1 Lamp T8
<b>ILLUMINATION (230V/EMERGENCY)</b>	150 lm(2x18W) or 245 lm(2x36W)
<b>DEGREES OF COVER PROTECTION</b>	IP67



### TECHNICAL DATA

#### Application Area

- Self testing emergency luminaries for use to the outdoor spaces of the vessel.

#### Housing

- Zinc coated steel, powder coated white RAL 9016 (stainless steel version available)
- Diffuser made of clear polycarbonate, UV stabilized (opal diffuser available)

#### Design

- According to the rules of international classification societies, VDE and IEC

#### Mounting

- Two holes 8 (additional mounting systems available, see the drawings)

#### Lamps

- 18/36 Watt T8

#### Electric

- 230V 50-60Hz.
- Flexible cable, heat resistant up to 105°C

#### Cable entry

- Two cable glands M20 and two stop plugs M20

#### Connection

- Pass through wiring with terminal 10mm
- Junction box
- Pass through with Wieland watertight connector

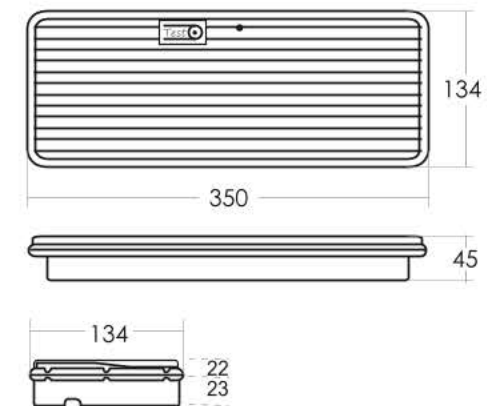
## INDOOR EMERGENCY LUMINARIES

GR-316/15L/MAR



### DIMENSIONS

OPERATION VOLTAGE	220-240V AC/ 50-60Hz
MAXIMUM POWER CONSUMPTION	3,5W/7A
BATTERY (Ni-Cd)	3,6V/ 1,5Ah
BATTERY PROTECTION	From overcharge and full discharge
INDICATIONS - CONTROLS	Charge, LED fault, Indication LED, Test button
CHARGING TIME	24H
MINIMUM AUTONOMOUS DURATION	180 min
ILLUMINATION SOURCE	15 white LEDs
ILLUMINATION (230V/EMERGENCY)	150 /105lm
DEGREES OF COVER PROTECTION	IP40



### TECHNICAL DATA

#### Application Area

- Self testing emergency luminaries with LEDs for use to the indoor spaces of the vessel.

#### Housing

- Polycarbonate
- Diffuser made of clear polycarbonate

#### Design

- According to the rules of international classification societies, VDE and IEC

#### Mounting

- Wall or ceiling installation

#### Lamps

- LED module

#### Electric

- 230V 50-60Hz, Flexible cable, heat resistant up to 105°C

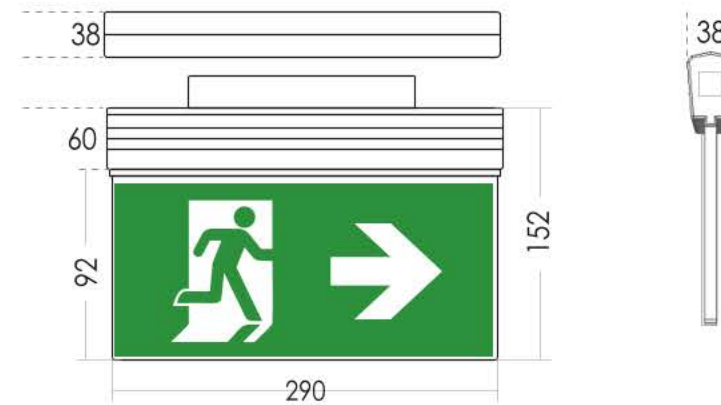
#### Protection

- IP40



DIMENSIONS

<b>OPERATION VOLTAGE</b>	220-240V AC/ 50-60Hz
<b>MAXIMUM POWER CONSUMPTION</b>	3,8W/6,7A
<b>BATTERY (Ni-Cd)</b>	3,6V/ 1,5Ah
<b>BATTERY PROTECTION</b>	From overcharge and full discharge
<b>INDICATIONS - CONTROLS</b>	Charge, LED fault, Indication LED, Test button
<b>CHARGING TIME</b>	24H
<b>MINIMUM AUTONOMOUS DURATION</b>	180 min
<b>ILLUMINATION (230V/EMERGENCY)</b>	125 /125lm
<b>DEGREES OF COVER PROTECTION</b>	IP40



TECHNICAL DATA

**Application Area**

- Self testing emergency sign luminary with LEDs for use to the indoor spaces of the vessel.

**Housing**

- Aluminum
- Diffuser made of clear plexiglass

**Design**

- According to the rules of international classification societies, VDE and IEC

**Mounting**

- Wall or ceiling installation
- Flush mounted base available

**Lamps**

- LED module

**Electric**

- 230V 50-60Hz.
- Flexible cable, heat resistant up to 105°C

**Protection**

- IP40



**SEABRIGHT**<sup>®</sup>  
BY A. MALLIOS

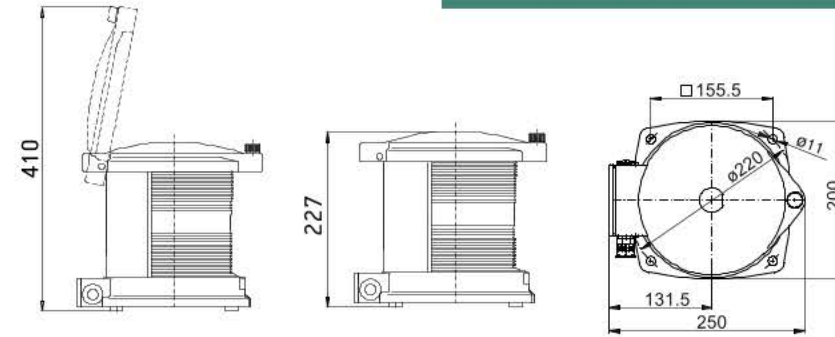
# NAVIGATION LIGHTS



MARINE **BRIGHT**  
SOLUTIONS

# NAVIGATION LIGHTS

## 760 SERIES



### DIMENSIONS

#### Application Area

- Vessels more than 50 meters

#### Housing

- Black polyamide, glass fibre reinforced, shock resistant, non corrosive, non magnetic, seawater resistant with stainless steel screen.

#### Cable Entry

- Cable gland M20

#### Connection

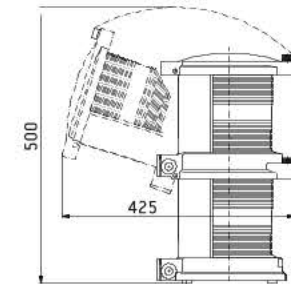
- Junction box
- 1.5 m preinstalled connection cable H07RNF 3x1.5mm<sup>2</sup>(Optional)

#### Approvals

- BSH
- DNV-GL
- UL 1104
- MED

#### Electric

- 24VDC, 115VAC, 230VAC



### TECHNICAL DATA

#### DOUBLE LANTERS

TYPE	CODE	COLOR	SECTOR	SIGNAL RANGE
Starboard	PB76130XX	Green	112,5°	3 nm
Port side	PB76230XX	Red	112,5°	3 nm
Masthead	PB76330XX	White	225°	6 nm
Stern light	PB76430XX	White	135°	3 nm
Signal light	PB76632XX	Red	360°	3 nm
Signal light	PB76633XX	Green	360°	3 nm

#### SINGLE LANTERS

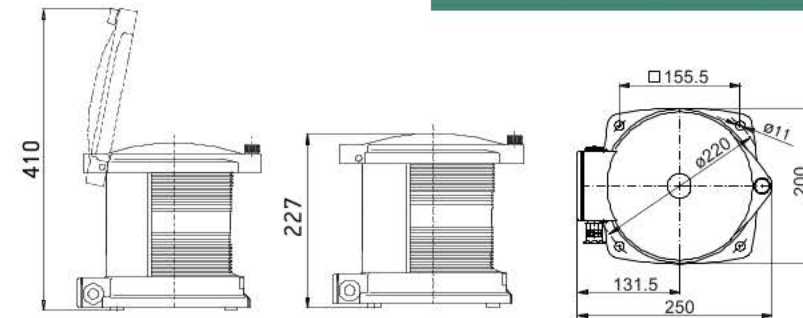
TYPE	CODE	COLOR	SECTOR	SIGNAL RANGE
Starboard	PB76110XX	Green	112,5°	3 nm
Port side	PB76210XX	Red	112,5°	3 nm
Masthead	PB76310XX	White	225°	6 nm
Stern light	PB76410XX	White	135°	3 nm
Manoeuvring	PB76617XX	White	360°	5 nm
Signal light	PB76612XX	Red	360°	3 nm
Signal light	PB76610XX	White	360°	3 nm

XX	VOLTAGE	POWER
10	24 VDC	40W
20	115 VAC	60W
30	230 VAC	65W
40	24 VDC + 230 VAC	40+65W

Only for double lanterns

# LED NAVIGATION LIGHTS

## 780 SERIES



### DIMENSIONS

#### Application Area

Vessels more than 50 meters

#### Lifetime

50.000 hours for single lanterns  
100.000 hours for double lanterns

#### Housing

Black polyamide, glass fibre reinforced,  
shock resistant, non corrosive, non magnetic,  
seawater resistant with stainless steel screen.

#### Lamps

LED module

#### Approvals

BSH  
DNV-GL  
UL 1104  
MED

#### Electric

24VDC, 115VAC, 230VAC

#### Cable Entry

Cable gland M20

#### Connection

Junction box  
1.5 m preinstalled connection cable  
H07RNF 3x1.5mm<sup>2</sup> (Optional)

XX	VOLTAGE
10	24 VDC
20	115 VAC
30	230 VAC
40	24 VDC + 230 VAC

Only for double lanterns

### TECHNICAL DATA

#### DOUBLE LANTERS

TYPE	CODE	COLOR	SECTOR	SIGNAL RANGE	POWER
Starboard	PB78130XX	Green	112,5°	3 nm	2x5W
Port side	PB78230XX	Red	112,5°	3 nm	2x5W
Masthead	PB78330XX	White	225°	6 nm	2x17W
Stern light	PB78430XX	White	135°	3 nm	2x3W
Signal light	PB78632XX	Red	360°	3 nm	2x6W
Signal light	PB78633XX	Green	360°	3 nm	2x10W

#### SINGLE LANTERS

TYPE	CODE	COLOR	SECTOR	SIGNAL RANGE	POWER
Starboard	PB78110XX	Green	112,5°	3 nm	5W
Port side	PB78210XX	Red	112,5°	3 nm	3W
Masthead	PB78310XX	White	225°	6 nm	17W
Stern light	PB78410XX	White	135°	3 nm	3W
Manoeuvring	PB78617XX	White	360°	5 nm	18W
Signal light	PB78612XX	Red	360°	3 nm	6W
Signal light	PB78610XX	White	360°	3 nm	8W



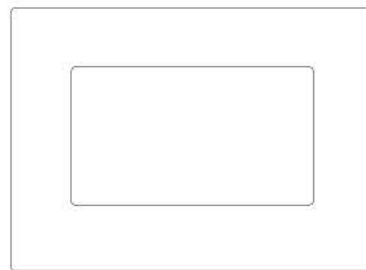
# NAVIGATION LIGHTS CONTROL PANEL

## NLS 3000

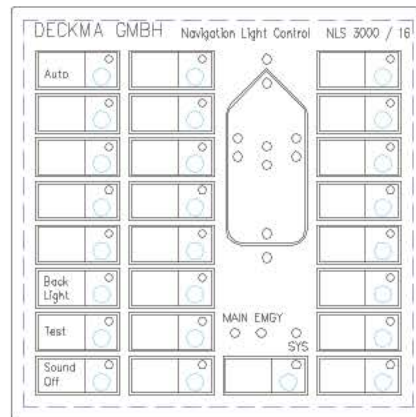


- Navigation control panel for conventional and led lanterns.
- Console mounting, both in touch screen and button screen version.
  - 8-16-24-32-40-48 monitored outputs
    - GL Marine approval
    - IP44 Ingress protection

### DIMENSIONS



Front plate	Housing	Panel cut out
144 x 105,5	135 x 96,5	138 x 99,5



	Front plate	Housing	Panel cut out
NLS 3000 / 8	144x111,5	135x102,5	138x105,5
NLS 3000 / 16	144x144	135x135	138x138
NLS 3000 / 24	144x176,5	135x167,5	138x170,5
NLS 3000 / 32	144x209	135x200	138x203
NLS 3000 / 40	144x241,5	135x232,5	138x235,5
NLS 3000 / 48	144x274	135x265	138x268

All measurements are in mm

### Codes

<b>NLS 3000 MM01-E</b> Main module	<ul style="list-style-type: none"> <li>• 230V / 115V AC or 24V DC</li> <li>• Switching main and reserve supply</li> <li>• Supply and distribution of the modules for bus system</li> <li>• 2 relay outputs for signaling / 2 inputs for signaling op coupler</li> <li>• Optional operator panel with LCD display</li> <li>• Interface for data module (FMS 3000 DT01-E)</li> </ul>
<b>NLS 3000 LM08-E</b> Lantern module 8-line	<ul style="list-style-type: none"> <li>• 8 monitored, switched and parties secured lantern circuits</li> <li>• Automatic change over from main to emergency supply</li> </ul>
<b>NLS 3000 LM02-E</b> Lantern module 2-line	<ul style="list-style-type: none"> <li>• 2 monitored, switched and parties secured lantern circuits</li> <li>• Automatic change over from main to emergency supply</li> </ul>
<b>NLS 3000 BK01-E</b> Conventional operator panel (mimic)	<ul style="list-style-type: none"> <li>• Ship's mimic diagram with 7 LEDs for the main lanterns</li> <li>• Display and activation for up to 48 single lanterns</li> <li>• 4x buttons for special lantern functions</li> <li>• Backlit key bank labels (dimnable)</li> </ul>
<b>NLS 3000 BG01-E</b> Graphically operator panel (touch screen)	<ul style="list-style-type: none"> <li>• Graphics display with touch screen for operation</li> <li>• Customized JPG pictures for lantern display</li> </ul>
<b>NLS 3000 VM01-E</b> VDR-module	<ul style="list-style-type: none"> <li>• Connection to the VDR</li> </ul>
<b>NLS 3000 SM01-E</b> Interface module	<ul style="list-style-type: none"> <li>• Connection to the ship automation system</li> </ul>
<b>FMS 3000 DT01-E</b> Data module	<ul style="list-style-type: none"> <li>• Module to manage and manipulate the data on the SD card</li> </ul>







SEABRIGHT<sup>®</sup>  
BY A. MALLIOS

# BRASS

LIGHTING FIXTURES  
ELECTRICAL EQUIPMENT



MARINE BRIGHT  
SOLUTIONS

# SURFACE WATERLIGHT BRASS LIGHTS

**IP56**

**Application Area**

- Brass lights for engine rooms, weather-exposed areas, cargo holds, deck, stores, workshops, industrial areas

**Design**

- According to the rules of international classification societies, VDE and IEC

**Housing**

- Body made of brass
- Diffuser made of glass

**Electric**

- 230 V 50 or 60 Hz

**Lamp-holder**

- E27

**Mounting**

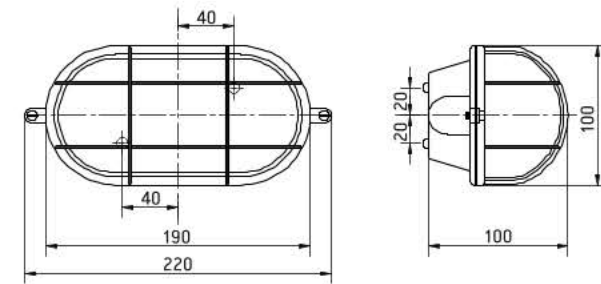
- Please see the drawings

**Cable Entry**

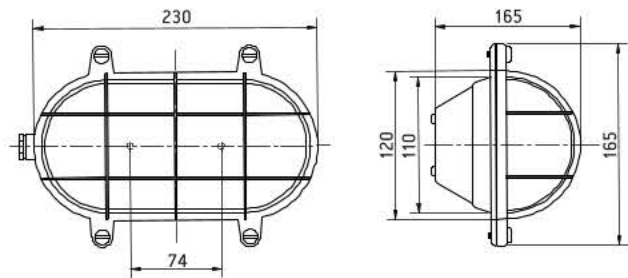
- Please see the drawings

## PRODUCT DESCRIPTION

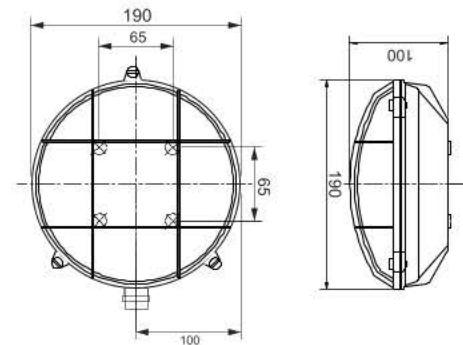
CODE 53-01



CODE 53-03



CODE 54-01



QUALITY MARKS



# SURFACE WATERLIGHT BRASS LIGHTS

IP56

## PRODUCT DESCRIPTION

### Application Area

- Brass lights for engine rooms, weather-exposed areas, cargo holds, deck, stores, workshops, industrial areas

### Design

- According to the rules of international classification societies, VDE and IEC

### Housing

- Body made of brass
- Diffuser made of glass

### Electric

- 230 V 50 or 60 Hz

### Lamp-holder

- E27

### Mounting

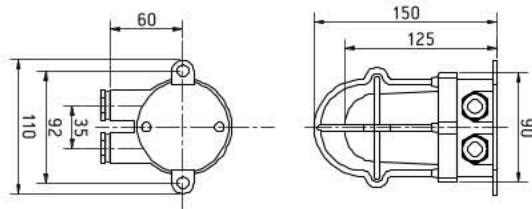
- Please see the drawings

### Cable Entry

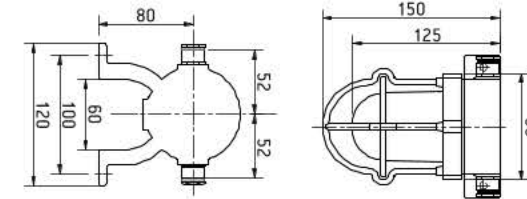
- Please see the drawings



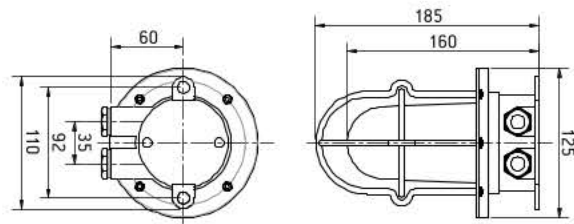
CODE 55-00



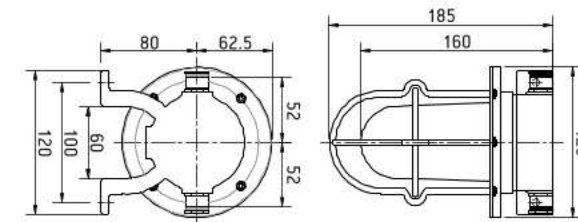
CODE 56-00



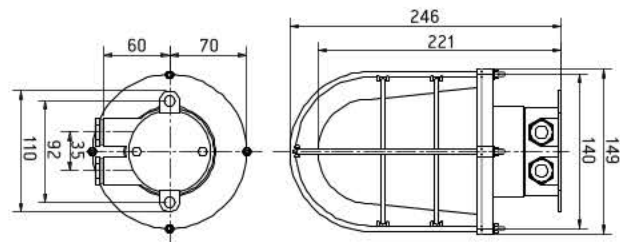
CODE 55-01



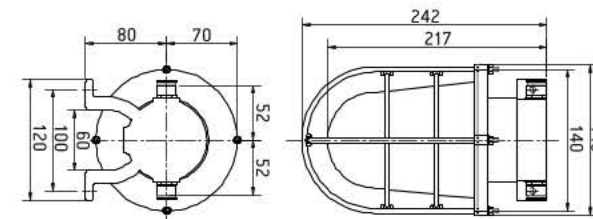
CODE 56-01



CODE 55-02



CODE 56-02



# BRASS WATERLIGHT JUNCTION BOXES

## PRODUCT DESCRIPTION

**IP56**

### Application Area

- Brass Junction boxes for engine rooms, weather-exposed areas, cargo holds, deck, stores, workshops, industrial areas

### Design

- According to the rules of international classification societies, VDE and IEC

### Housing

- Body made of brass

### Mounting

- Please see the drawings

### Electric

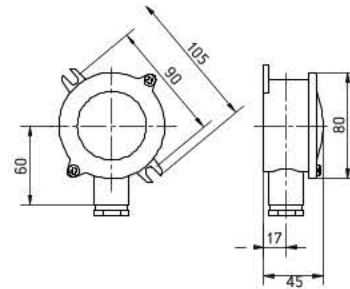
- 230 V 50 or 60 Hz

### Cable Entry

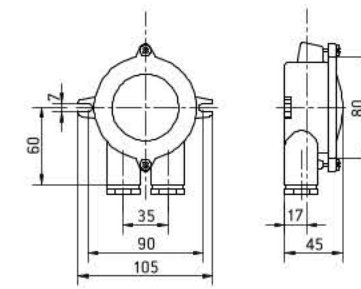
- M24x1,5



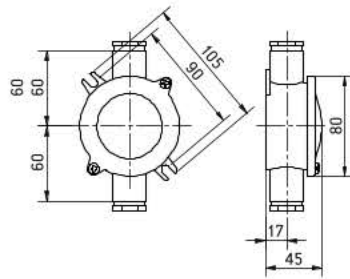
CODE 51-01



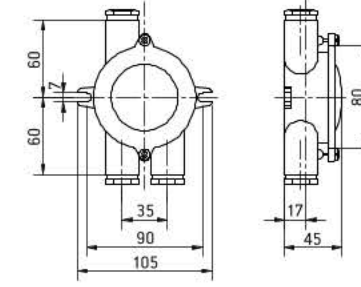
CODE 51-02



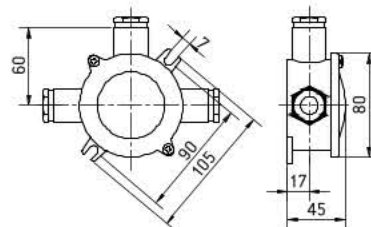
CODE 51-11



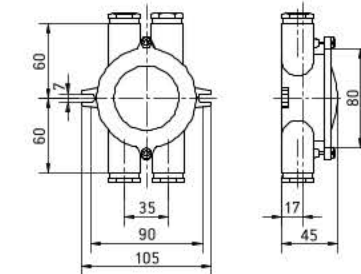
CODE 51-21



CODE 51-111



CODE 51-22



# BRASS WATERLIGHT SWITCHES SOCKETS

IP56

## PRODUCT DESCRIPTION

### Application Area

- Brass electrical equipment for engine rooms, weather-exposed areas, cargo holds, deck, stores, workshops, industrial areas

### Design

- According to the rules of international classification societies, VDE and IEC

### Housing

- Body made of brass

### Electric

- 230 V 50 or 60 Hz

### Mounting

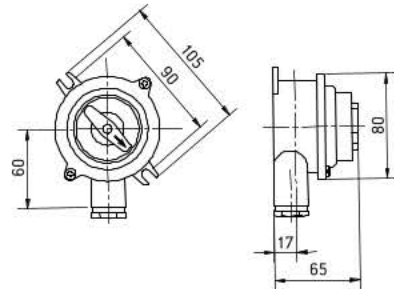
- Please see the drawings

### Cable Entry

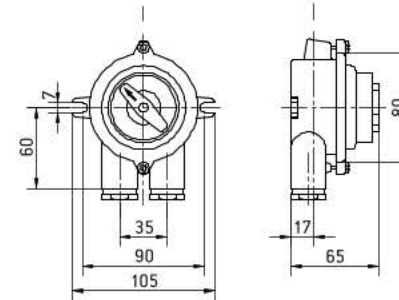
- M24x1,5



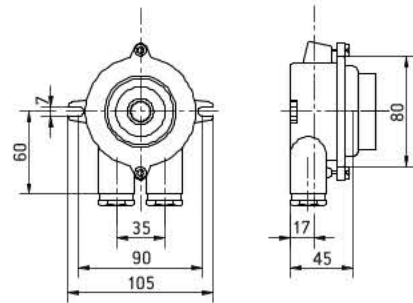
CODE 52-01



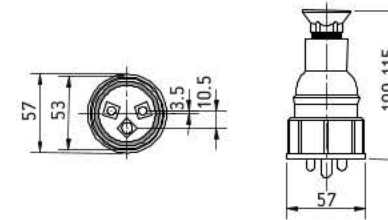
CODE 52-02



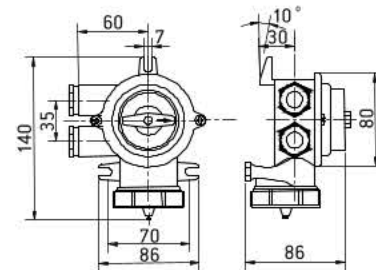
CODE 52-12



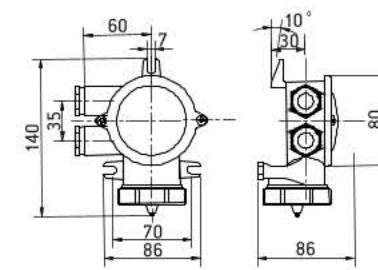
CODE 52-30



CODE 52-432



CODE 52-32



SEABRIGHT®  
BY A. MALLIOS